



# The box package

The box package contain:

- MT box PRO test point adapter
- Test point SMALL cable
- Test point BIG cable
- DKU-2 test point cable
- Mini USB test point cable

Description:

## MT box PRO test point adapter

The adapter need to be connected DIRECTLY to MT box Nokia without any adapter

TP - there you connect BIG or SMALL test point cable supplied with box  
Service Cable - there you connect DKU-2 or MINI USB cable supplied with box

## Test point SMALL cable

The SMALL cable need to be used when you unlock phones with CPU line test points

Black wire - GND  
Yellow wire - CLK  
Green wire - DATA

## Test point BIG cable

The BIG cable need to be used when you unlock phones with NORMAL test points

Black wire - GND  
Yellow wire - CLK  
Green wire - DATA

## DKU-2 test point cable

Need to be used with phones who have POP cable connector

Black wire - GND  
Green wire - BSI  
Red wire - VBAT (+ battery pin)

## Mini USB test point cable

Need to be used with phones who have small USB connector

Black wire - GND  
Green wire - BSI  
Red wire - VBAT (+ battery pin)

## How to start and unlock

Download and install MT box Nokia software

Connect MT box Nokia to USB

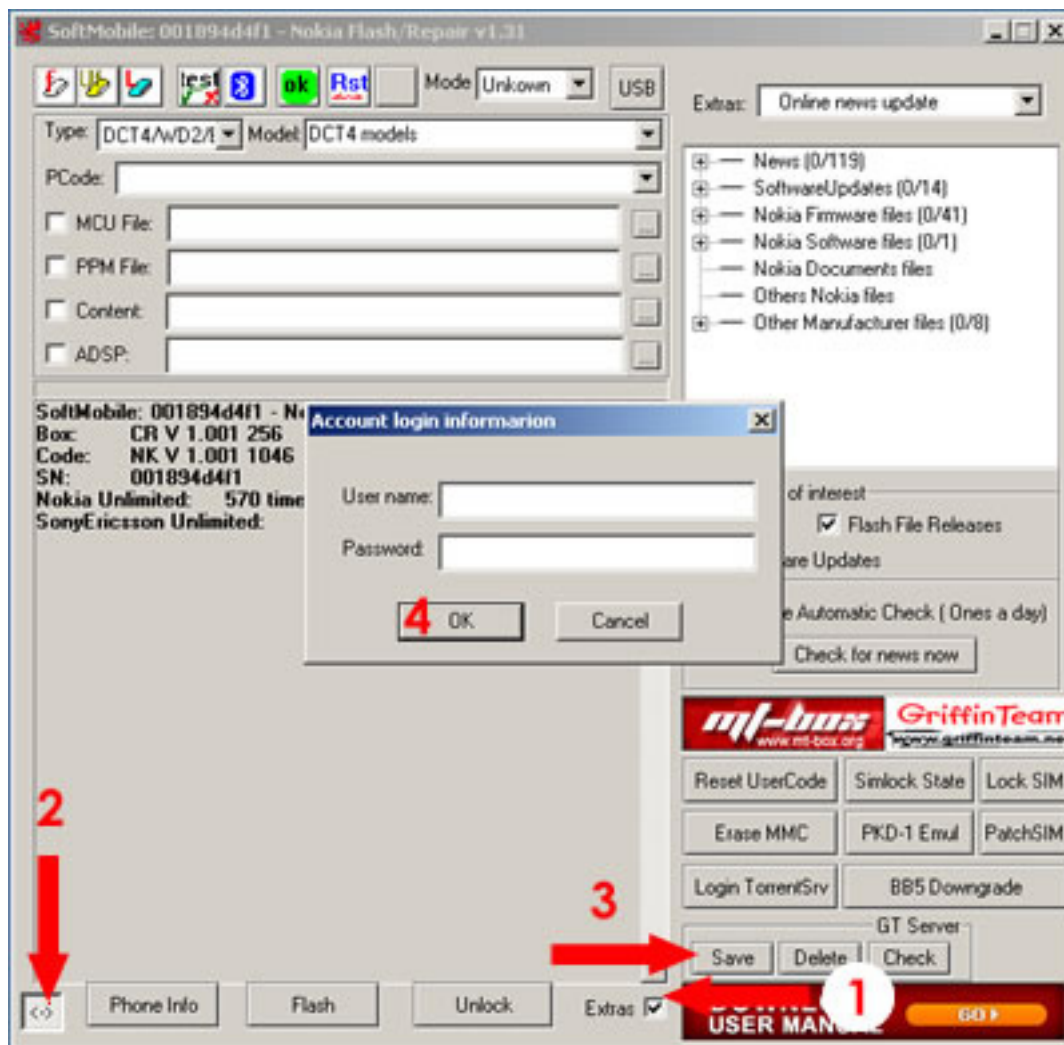
Start MT box software

Go to Automatic action while flash tab and enable :

- BB5 308 backup PM

- BB5 IMEI backup

- LogFile: mtb\_nk\_yoursn\_log.txt



Follow steps from 1 to 4 like on above image to enter your login details

To receive server login details please contact your reseller

**Connect MT box PRO test point adapter directly to MT box Nokia without any adapter**

Connect DKU or MINI USB cable to MT box PRO test point adapter connector (SERVICE CABLE)

Connect BIG or SMALL test point cable to MT box PRO test point adapter connector (TP)

**Please be careful with test point needles and do not let them to make any shortcut**

Disassembly the phone and prepare PCB to connect test points

### Connecting SERVICE CABLE to phone

Connect BLACK pin to GND

Connect GREEN pin to BSI

Connect RED pin to VBAT battery connector + pin

The phone need to be in Local mode

Press Phone info button to check it is phone in local mode

If the phone is not in local mode the software cant read info, take the tweezers and make for short time shortcut on phone power button (to simulate real power button)

Press Phone info again to check it is all ok now, if yes go to next step

Press SimLock state button to check sim lock status on your phone

Press Check account button to check it is internet connection between MTB NK software and Griffin Server ok and how many logs you have on your account

### Connecting TP cable to phone

Connect BLACK pin to phone GND (near and better is possible to phone CPU)

Press UNLOCK button, then connect the rest two test points

Connect YELLOW pin to CLK test point

Connect GREEN pin to DATA test point

Please wait to software finish

The operation is very short

Remove YELLOW and GREEN test points

Now press SimLock state again to check it is phone unlocked or no

If the phone is not unlocked just repeat procedure

If you have any problem fill free to post on support forum:

<http://forum.gsmhosting.com/vbb/showthread.php?t=409110>

## Error description

### Customer:

I try to unlock phone but server is down, give me this message:

busy, waiting...  
e/399/mt boxid error;

### Server error

### Answer:

The server is not down, this message you got when try to use another MT box Nokia with your BB5 server account. The first MT box Nokia which is connected with your BB5 server account can be used only. Every BB5 account can have maximum 1 MT box Nokia registered to it. Registration process is automatically with first your login.

### Customer:

I try to unlock phone but have this error:

busy, waiting...  
e/401/command execution error;

### Server error

### Answer:

This mean you try to unlock unsupported phone version.  
Please flash your phone to any supported version then unlock it.

### Customer:

I try to unlock phone but got this error:

Connect TPs(D1)  
box error  
!!!!!!BOX ERROR!!!!!!

### Answer:

Reconnect box and restart software. If this not help then there is not enough power on USB for all connected devices. If this not help please try to push MT box Pro cable connector to MT box Nokia , maybe its not good connected or not have \*\*\* contact between the pins. If this also not help please add power supply to MT box Nokia using Nokia phone charger ACP-12. If all this not help you please check pin 1 and pin 10 on your MT box Nokia, it need to be in same level with other pins.

Customer:

I try to unlock, my credits and phone is not unlocked. How about this?

Answer:

In case you clicked "UNLOCK", the credit has been used by the server, but you haven't lost anything. Full-flash the phone using one of the versions specified in the list mentioned above, then unlock the phone again (of course by using TP) and the phone will be unlocked without you losing any credits, this because the server counts the IMEI of the phones you attempt to unlock before and remembers the fact that you couldn't unlock it. Using this method you will have an unlocked phone by using a single credit, without you losing anything.

Customer:

I check Sim lock and there is info:

V 05.92/07-09-06/RM-78 (c) Nokia

IMEI: 3593820000xxxxx

Operator: 8000000000000006

Profile bits: 2320100000000000

Closed on Mcc Mnc: 23201F

Counters 10/10, 0/3

Its that phone unlockable?

Answer:

Yes its unlock able, but you must write backup of 308 field back to phone.

In case you dont have backup must make RPL to reset counter to factory default state 0/10, 0/3.

Customer:

What this mean?

Counters 0/10, 0/3

Answer:

0/10 its FBUS code counter in this case there is no any attempt used

0/3 its Key code counter in this case there is no any attempt used

10/10 is when all attempt is used and phone is not unlock able until you write backup 308 field back to original state or make RPL

3/3 is unlock able and no need to do any action

Customer:

I have problem to unlock my phone, this is the operator code, i read it using SIM lock state button:

Closed on Mcc Mnc: 334020

Answer:

The phones from this operator cant be unlocked at the moment. Please check phone sim lock state before you try to unlock the phone, it will save your credits.

# Supported phone models and versions

## 6630

[V\_04WK47\_M\_V14.2\_27-09-06\_RM-1\_(c)\_Nokia.]  
[V\_04WK47\_M\_V14\_09-02-06\_RM-1\_(c)\_Nokia.]  
[V\_04WK47\_M\_V5\_17-08-05\_RM-1\_(c)\_Nokia.]

## 6680

[V\_04WK47\_M\_V14\_09-02-06\_RM-36\_(c)\_Nokia.]  
[V\_04wk47\_m\_v14.2.1\_09-11-06\_RM-36\_(c)\_Noki]

## N70

[V\_05WK07V41\_08-02-06\_RM-84\_(c)\_Nokia.]  
[V\_05WK07V45.1\_21-10-06\_RM-84\_(c)\_Nokia.]  
[V\_05WK07V42\_23-03-06\_RM-84\_(c)\_Nokia.]  
[V\_05WK07V25.4.2\_21-09-05\_RM-84\_(c)\_Nokia.]  
[V\_05WK07V45\_29-08-06\_RM-84\_(c)\_Nokia.]  
[V\_05WK07V45.1\_21-11-06\_RM-84\_(c)\_Nokia.]

## 3110c

[V\_04.91\_03-04-07\_RM-237\_(c)\_Nokia.]

## 3250

[V\_\_03.23\_24-05-06\_RM-38\_(c)\_Nokia.]  
[V\_\_04.21\_16-02-07\_RM-38\_(c)\_Nokia.]

## 5200

[V\_03.70\_22-09-06\_RM-174\_(c)\_Nokia.]  
[V\_03.92\_13-10-06\_RM-174\_(c)\_Nokia.]  
[V\_04.71\_28-02-07\_RM-174\_(c)\_Nokia.]  
[V\_05.00\_27-04-07\_RM-174\_(c)\_Nokia.]

## 5200B

[V\_03.70\_22-09-06\_RM-181\_(c)\_Nokia.]  
[V\_03.92\_13-10-06\_RM-181\_(c)\_Nokia.]  
[V\_04.71\_28-02-07\_RM-181\_(c)\_Nokia.]  
[V\_05.00\_27-04-07\_RM-181\_(c)\_Nokia.]

## 5300

[V\_03.92\_13-10-06\_RM-146\_(c)\_Nokia.]  
[V\_04.70\_24-01-07\_RM-146\_(c)\_Nokia.]  
[V\_04.71\_28-02-07\_RM-146\_(c)\_Nokia.]  
[V\_05.00\_27-04-07\_RM-146\_(c)\_Nokia.]

## 5300B

[V\_03.92\_13-10-06\_RM-147\_(c)\_Nokia.]  
[V\_04.70\_24-01-07\_RM-147\_(c)\_Nokia.]  
[V\_04.71\_28-02-07\_RM-147\_(c)\_Nokia.]  
[V\_05.00\_27-04-07\_RM-147\_(c)\_Nokia.]

5500

[V\_03.55\_23-11-06\_RM-86\_(c)\_Nokia.]

6085

[V\_03.71\_30-11-06\_RM-198\_(c)\_Nokia.]

[V\_04.26\_16-03-07\_RM-198\_(c)\_Nokia.]

6086

[V\_03.51\_15-02-07\_RM-188\_(c)\_Nokia.]

6125

[V\_03.71\_31-05-06\_RM-178\_(c)\_Nokia.]

6126/6133

[V\_04.24\_04-07-06\_RM-126\_(c)\_Nokia.]

[V\_05.61\_14-12-06\_RM-126\_(c)\_Nokia.]

6131

[V\_05.50\_20-09-06\_RM-115\_(c)\_Nokia.]

[V\_06.10\_16-02-07\_RM-115\_(c)\_Nokia.]

6136

[V\_03.71.2\_12-09-06\_RM-199\_(c)\_Nokia.]

6151

[V\_03.91\_25-09-06\_RM-200\_(c)\_Nokia]

[V\_04.10\_21-12-06\_RM-200\_(c)\_Nokia]

6233

[V\_04.52\_06-07-06\_RM-145\_(c)\_Nokia]

[V\_03.70\_15-05-06\_RM-145\_(c)\_Nokia]

[V\_04.54\_01-08-06\_RM-145\_(c)\_Nokia]

[V\_04.91\_25-09-06\_RM-145\_(c)\_Nokia]

[V\_05.10\_21-12-06\_RM-145\_(c)\_Nokia]

6234

[V\_03.70\_15-05-06\_RM-123\_(c)\_Nokia]

[V\_04.52\_06-07-06\_RM-123\_(c)\_Nokia]

[V\_04.54\_01-08-06\_RM-123\_(c)\_Nokia]

[V\_04.91\_25-09-06\_RM-123\_(c)\_Nokia]

[V\_05.10\_21-12-06\_RM-123\_(c)\_Nokia]

6270

[V\_03.53\_15-11-05\_RM-56\_(c)\_Nokia.]

[V\_03.85\_08-11-06\_RM-56\_(c)\_Nokia.]



6280/6288

[V\_06.43\_30-03-07\_RM-78\_(c)\_Nokia]  
[V\_06.10\_21-12-06\_RM-78\_(c)\_Nokia]  
[V\_05.96\_29-11-06\_RM-78\_(c)\_Nokia]  
[V\_05.94\_14-11-06\_RM-78\_(c)\_Nokia]  
[V\_05.92\_07-09-06\_RM-78\_(c)\_Nokia]  
[V\_03.81\_09-05-06\_RM-78\_(c)\_Nokia]  
[V\_03.70\_28-03-06\_RM-78\_(c)\_Nokia]  
[V\_03.65\_22-03-06\_RM-78\_(c)\_Nokia]  
[V\_03.60\_10-02-06\_RM-78\_(c)\_Nokia]  
[V\_03.40\_20-12-05\_RM-78\_(c)\_Nokia]  
[V\_03.36\_05-12-05\_RM-78\_(c)\_Nokia]

6300

[V\_04.20\_05-12-06\_RM-217\_(c)\_Nokia.]  
[V\_04.70\_24-01-07\_RM-217\_(c)\_Nokia.]  
[V\_04.71\_28-02-07\_RM-217\_(c)\_Nokia.]  
[V\_05.00\_27-04-07\_RM-217\_(c)\_Nokia.]

revision=D (for spanion flash)

[V\_04.71\_28-02-07\_RM-217\_(c)\_Nokia.]  
[V\_05.00\_27-04-07\_RM-217\_(c)\_Nokia.]

6300B

[V\_04.20\_05-12-06\_RM-222\_(c)\_Nokia.]  
[V\_04.70\_24-01-07\_RM-222\_(c)\_Nokia.]  
[V\_04.71\_28-02-07\_RM-222\_(c)\_Nokia.]  
[V\_05.00\_27-04-07\_RM-222\_(c)\_Nokia.]

revision=D (for spanion flash)

[V\_04.71\_28-02-07\_RM-222\_(c)\_Nokia.]  
[V\_05.00\_27-04-07\_RM-222\_(c)\_Nokia.]

7370

[V\_04.13\_16-05-06\_RM-70\_(c)\_Nokia.]

7373

[V\_03.90\_06-10-06\_RM-209\_(c)\_Nokia.]  
[V\_04.70\_24-01-07\_RM-209\_(c)\_Nokia.]  
[V\_04.71\_28-02-07\_RM-209\_(c)\_Nokia.]

7390

[V\_03.84\_23-10-06\_RM-140\_(c)\_Nokia]

8600 Luna

[W 03.52/24-05-07/RM-164/(c) Nokia]

E50

[V\_2.26.01\_04-07-06\_RM-170\_(c)\_Nokia.] MCU: RM170p\_06271.C01 (RM-170\_EMEA\_LTA\_DP2.0\_v1.0\_SW06.27.01.exe)

[V\_2.26.01\_04-07-06\_RM-171\_(c)\_Nokia.] MCU: RM171p\_06271.C01 (RM-171\_EMEA\_LTA\_DP2.0\_v1.0\_SW06.27.01.exe)

[V\_3.37.23\_11-10-06\_RM-170\_(c)\_Nokia.] MCU: RM170p\_06413.C01

[V\_3.37.23\_11-10-06\_RM-171\_(c)\_Nokia.] MCU: RM171p\_06413.C01

E60

[V\_1.0533.47.12\_28-03-06\_RM-49\_(c)\_Nokia.]

E61

[V\_3.0533.6\_31-10-06\_RM-89\_(c)\_Nokia.]

MCU: rm89\_m128\_h20\_ks\_prod\_306330904\_c00\_combined.bin

E62

[Vp\_2.0618.06.17\_10-08-06\_RM-88\_(c)\_Nokia.] MCU: rm88\_18.06.17.c00

install: Nokia\_Firmware\_RM-88\_DP1.0\_APAC\_18.06.17.exe

E65

[V\_1.0615.25\_10-01-07\_RM-208\_(c)\_Nokia.]

MCU: rm208\_m128\_h20\_ka\_prod\_106331801\_c00\_combined.bin

install: Nokia\_firmware\_RM-208\_apac\_1.0633.18.01\_v1.0.exe

N71

V\_05wk33v28.1\_11-05-06\_RM-67\_(c)\_Nokia.

MCU file: MCU: r1114\_3.0620.1.14\_cc.fpsx

N72

[V\_05wk07v47\_30-01-07\_RM-180\_(c)\_Nokia.]

MCU: RM180\_50706401.C0 (Nokia\_firmware\_RM-180\_EMEA\_v4.0\_5.0706.4.0.1.exe)

N73

[V\_05wk47v28.1\_22-06-06\_RM-133\_(c)\_Nokia.]

MCU: scarfe\_2.0628.0.0.1\_western\_C00\_PRD\_cc.fpsx

install: Nokia\_firmware\_RM-133\_EMEA\_2.0628.0.0.1\_v1.0.exe

[V\_05wk47v28.3\_26-07-06\_RM-133\_(c)\_Nokia.]

MCU: scarfe\_2.0628.0.0.3\_western\_C00\_PRD\_cc.fpsx

install: Nokia\_firmware\_RM-133\_EMEA\_2.0628.0.0.3\_v2.0.exe

[V\_05wk47v38.1\_19-01-07\_RM-133\_(c)\_Nokia.]

MCU: N73\_3.0704.1.0.1\_western\_C00\_PRD\_cc.fpsx or N73\_3.0705.1.0.31\_western\_C00\_PRD\_cc.fpsx

[V\_05wk47v46.3\_04-06-07\_RM-133\_(c)\_Nokia.]

MCU: N73\_4.0723.2.0.1\_western\_C00\_PRD\_cc.fpsx      install: RM-133\_APAC\_4.0723.2.0.1\_v7.0.exe

N80

[V\_04.54\_01-08-06\_RM-145\_(c)\_Nokia]      MCU: N80\_4.0623.0.41-prd\_western\_C00\_cc.fpsx

install: RM-92\_EMEA\_PR\_dp\_v13.00\_SW4.0623.0.41.exe

N91

[V\_w33\_06w24v4\_13-09-06\_RM-43\_(c)\_Nokia.] - MCU: RM43\_V2.10.013.core

[V\_w33\_06w38v1\_18-09-06\_RM-43\_(c)\_Nokia.] - MCU: RM43\_V3.00.060.core (8GB)

N95

V\_06wk41v23.4\_17-04-07\_RM-159\_(c)\_Nokia

MCU: RM-159\_11.0.026\_PR.C0R

install: RM-159\_EURO\_11.0.026\_v2.0.exe

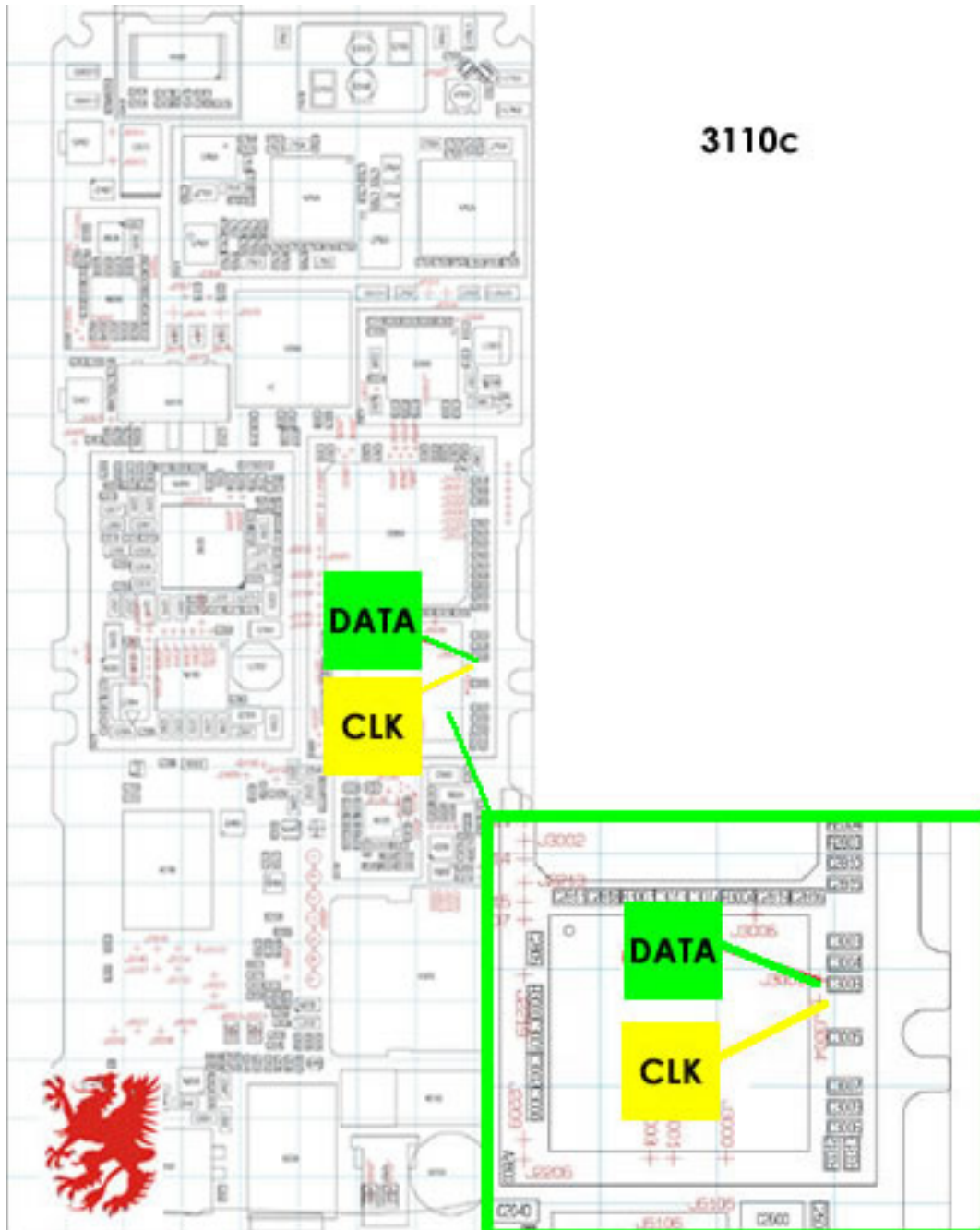
V\_06wk41v18.4\_13-03-07\_RM-159\_(c)\_Nokia      MCU: RM-159\_10.0.018\_PR.C0R

V\_06wk41v31\_05-06-07\_RM-159\_(c)\_Nokia      MCU: RM-159\_12.0.013\_PR.C0R

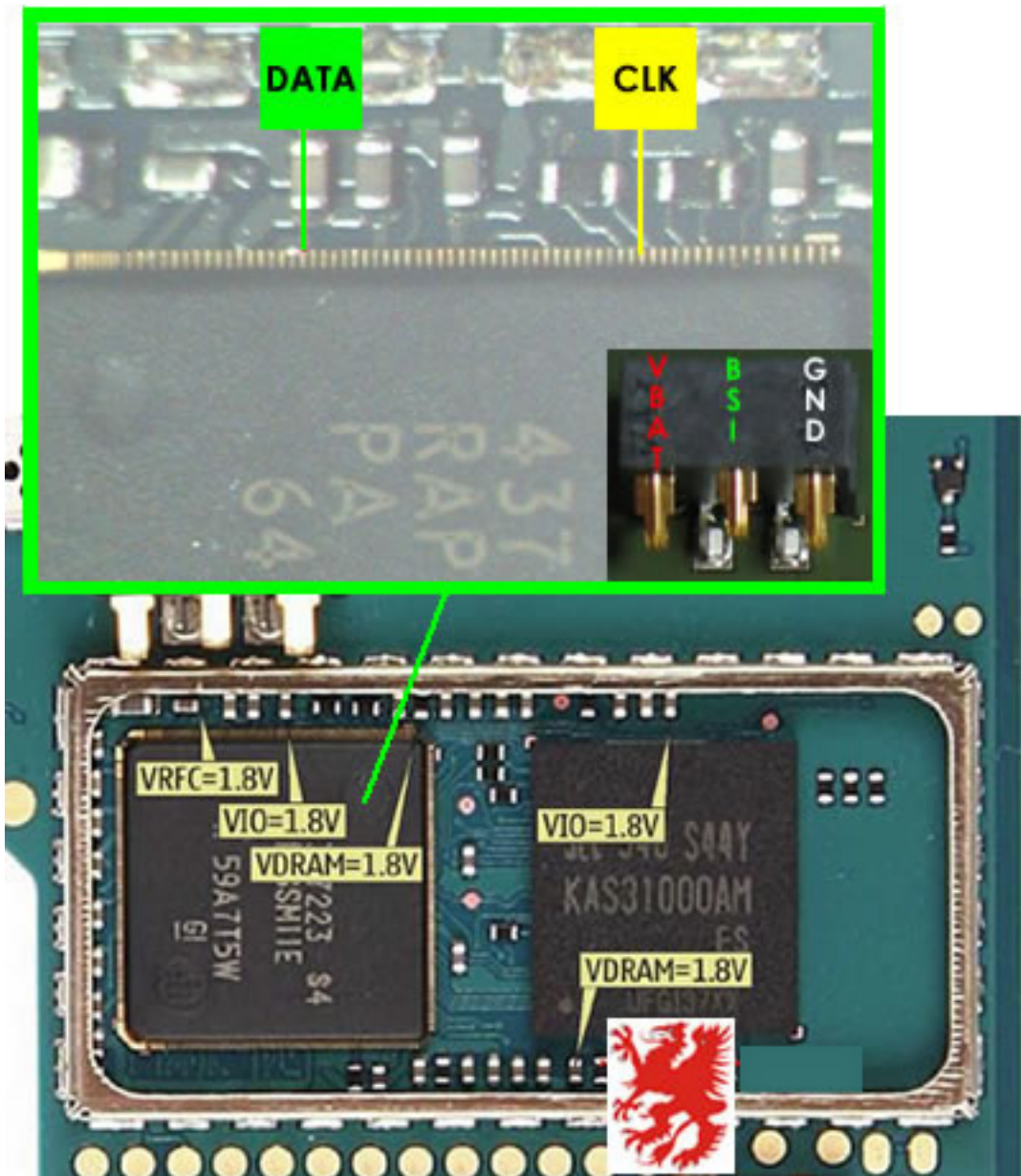
install: Nokia\_firmware\_RM-159\_EURO\_12.0.013\_v3.0.exe

# Test Points

3110c

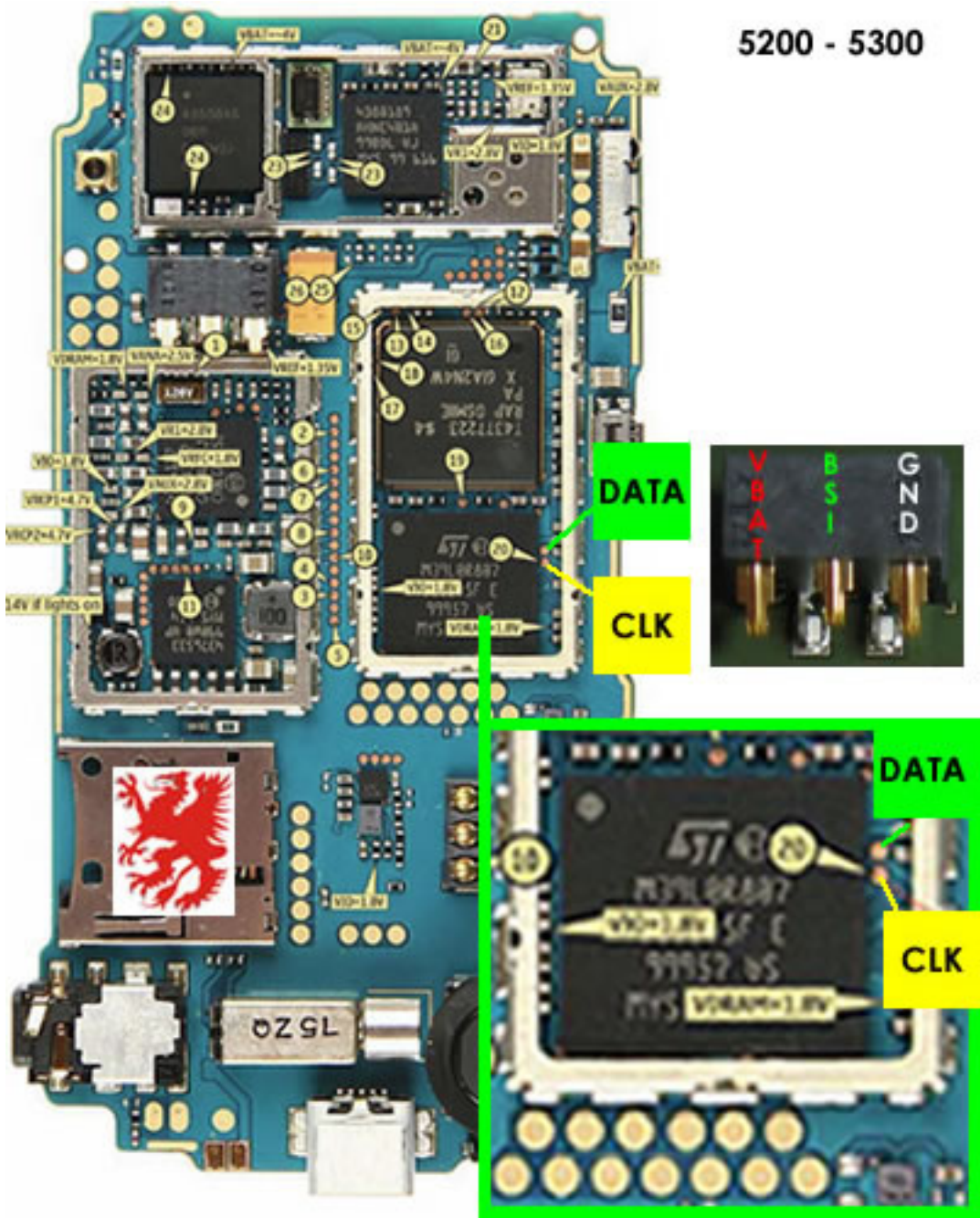


3250

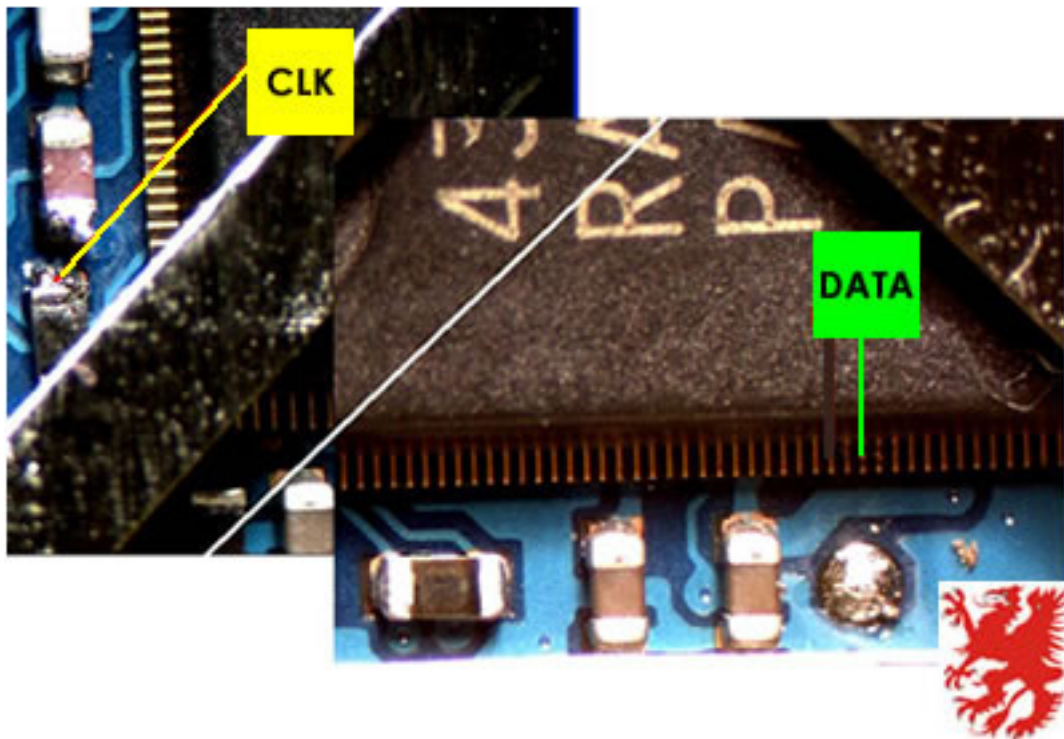




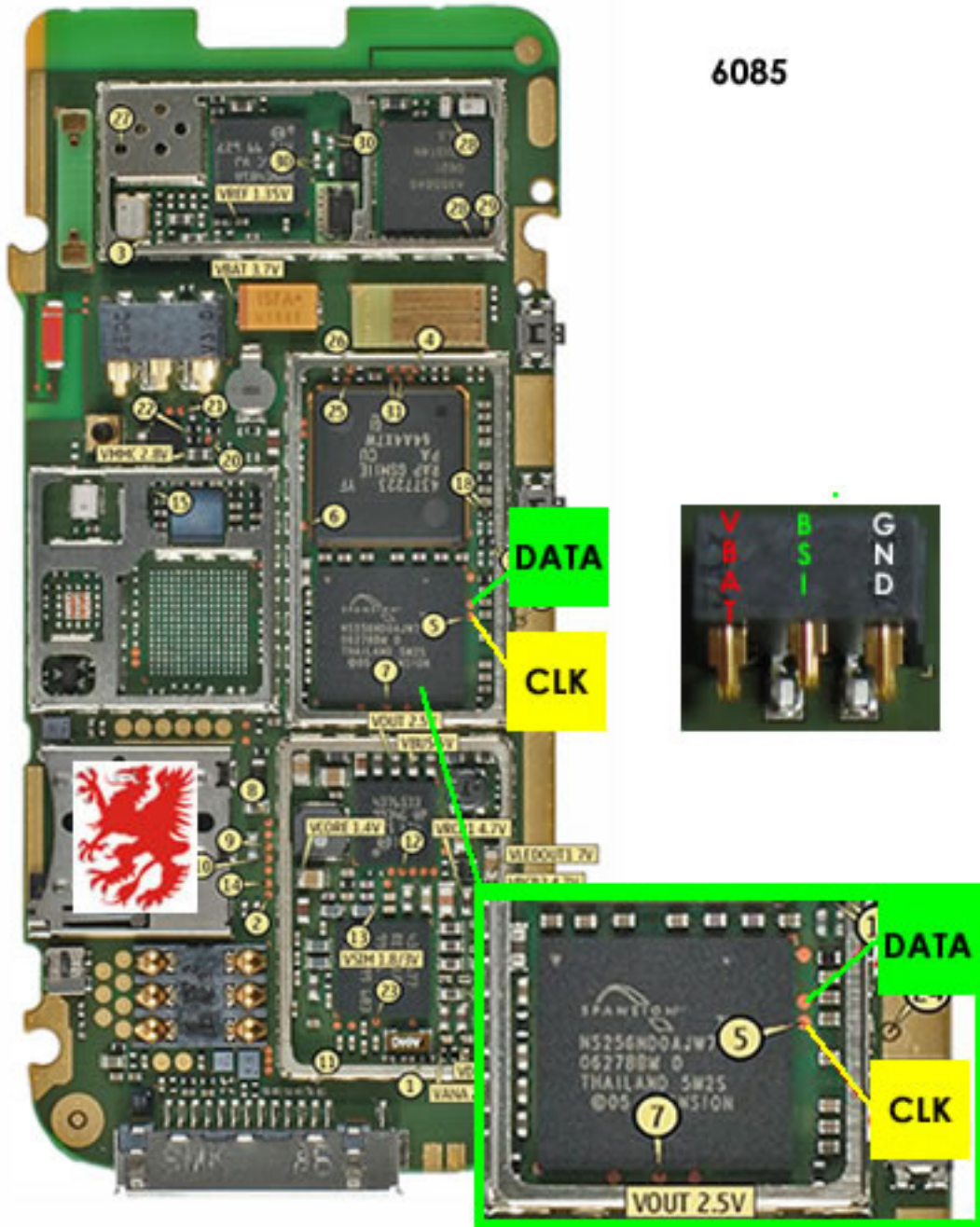
5200 - 5300



5500

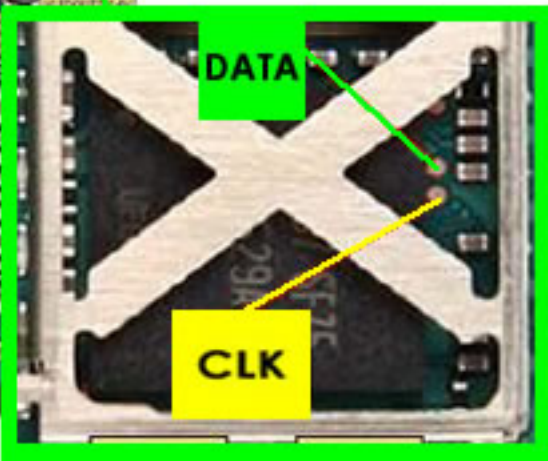
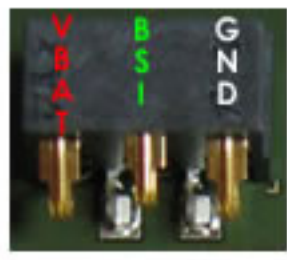
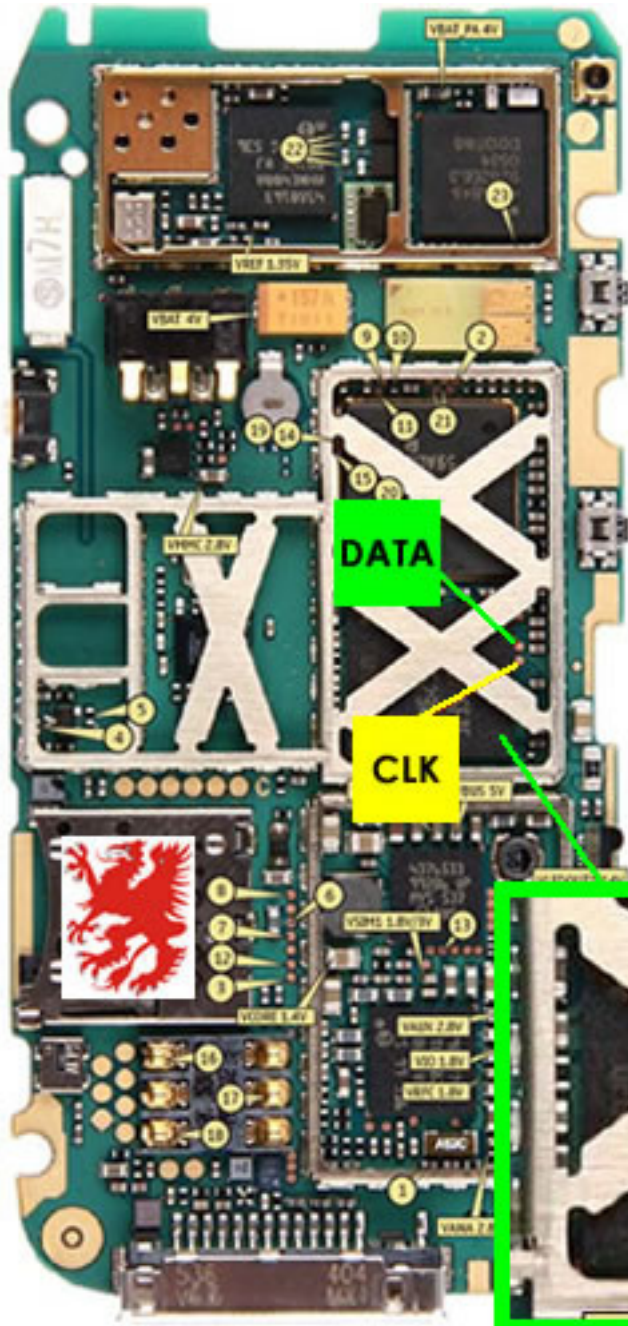


6085





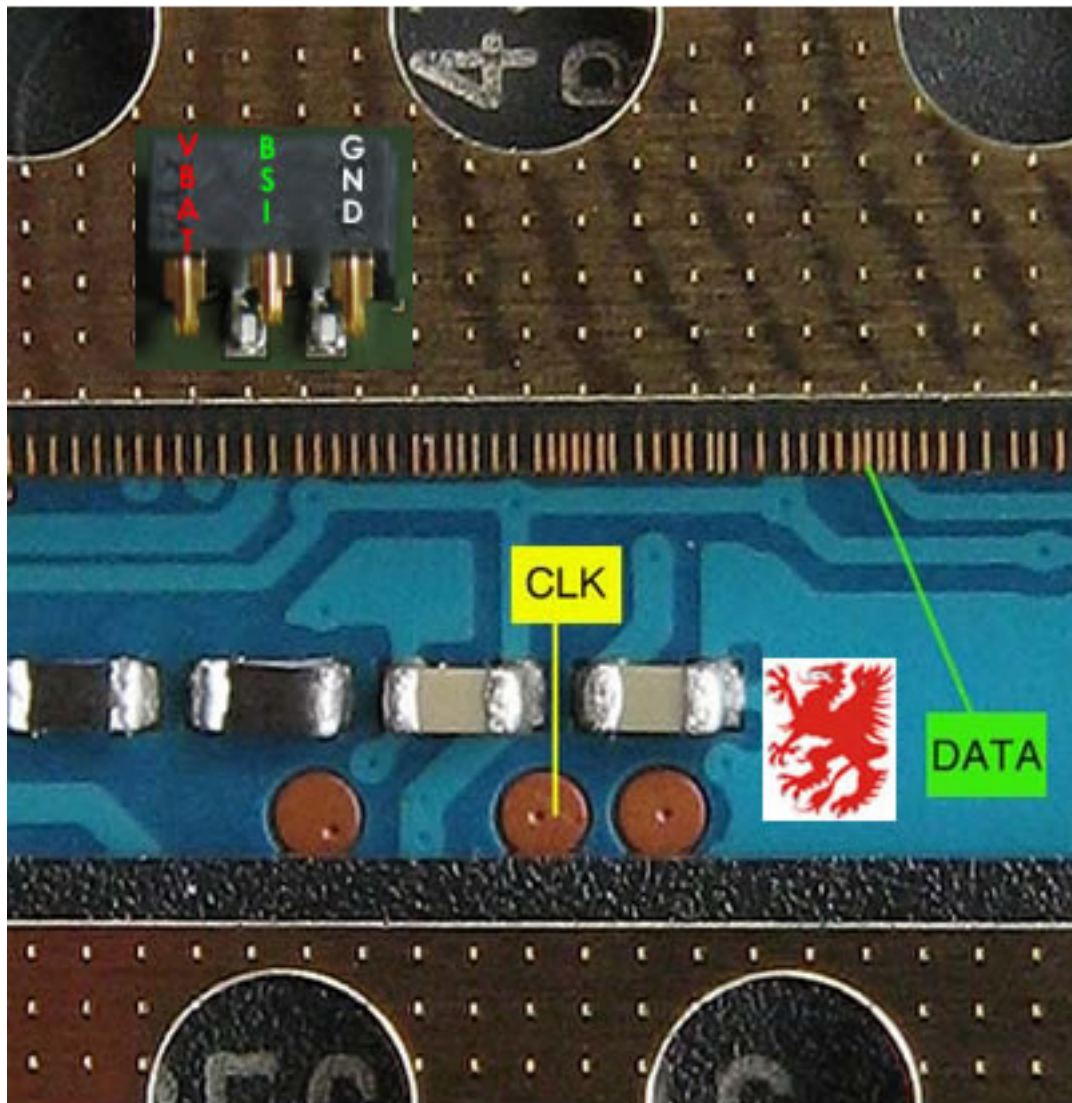
6125



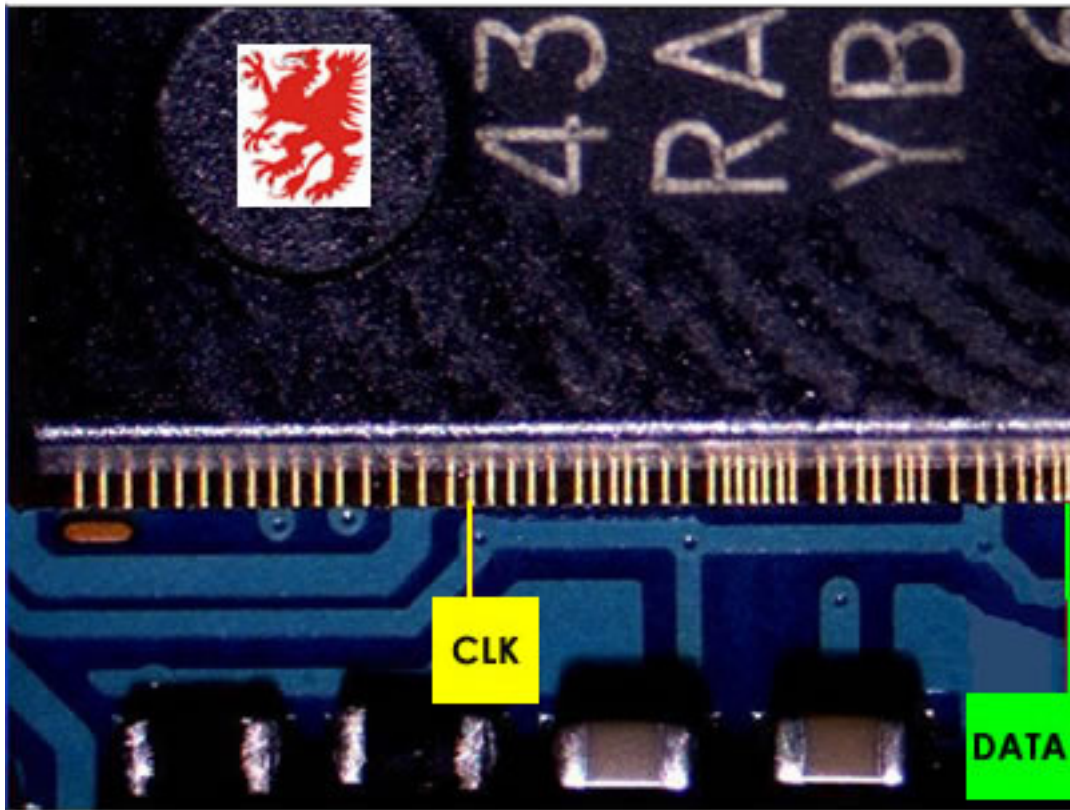


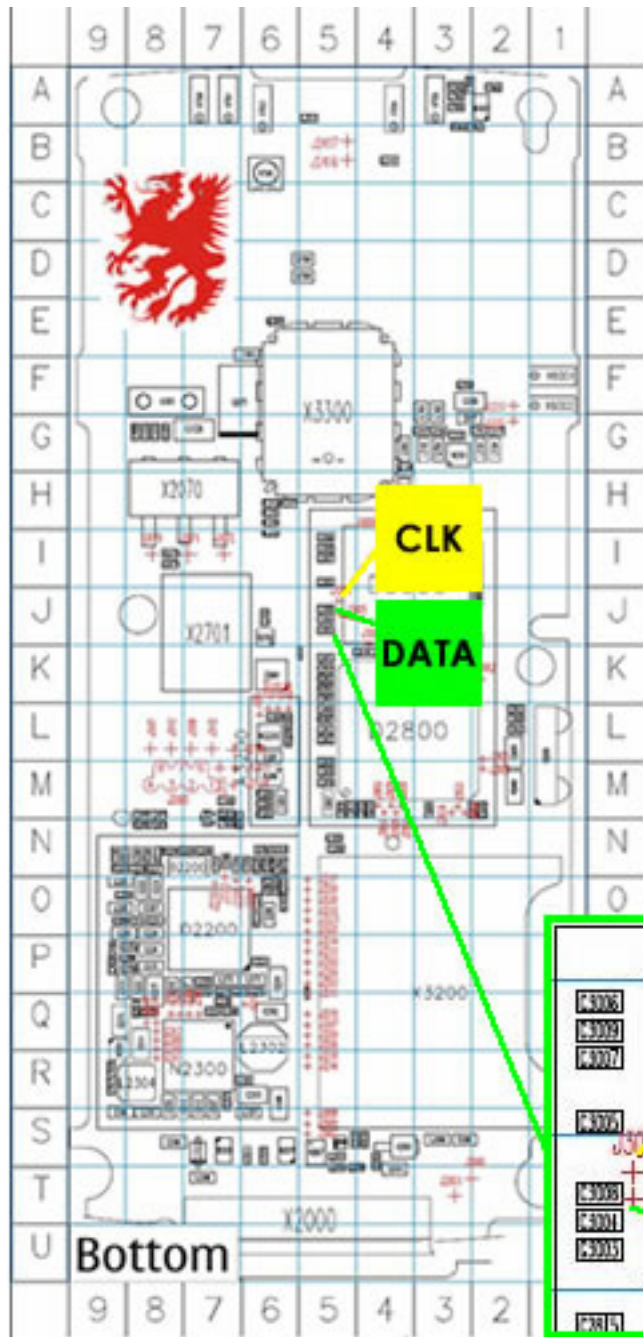


6151

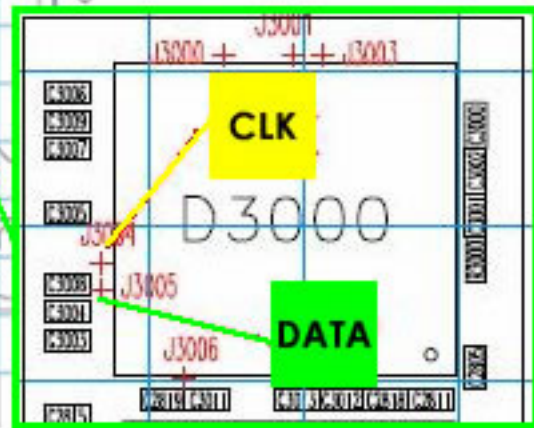


6233 - 6234

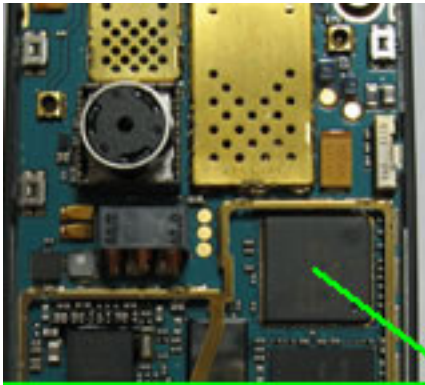




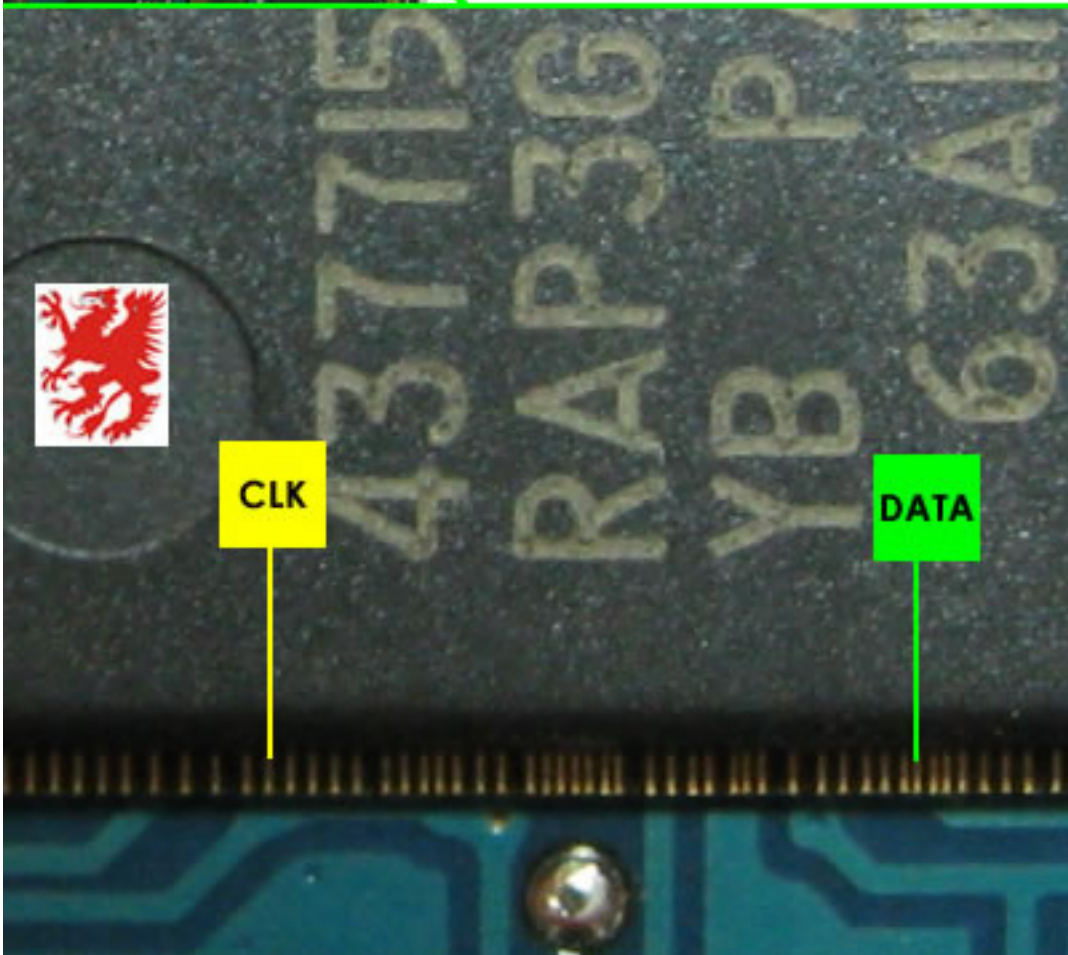
6270



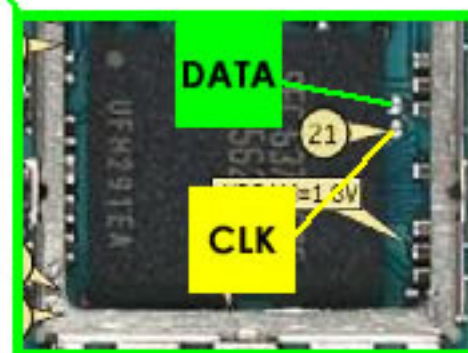
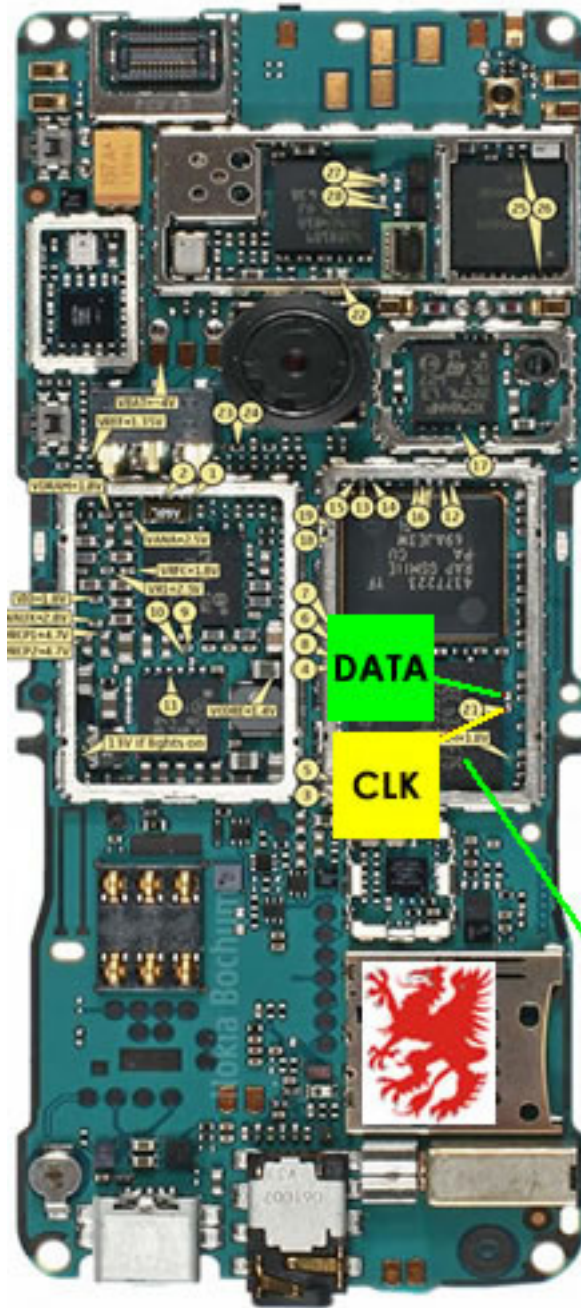




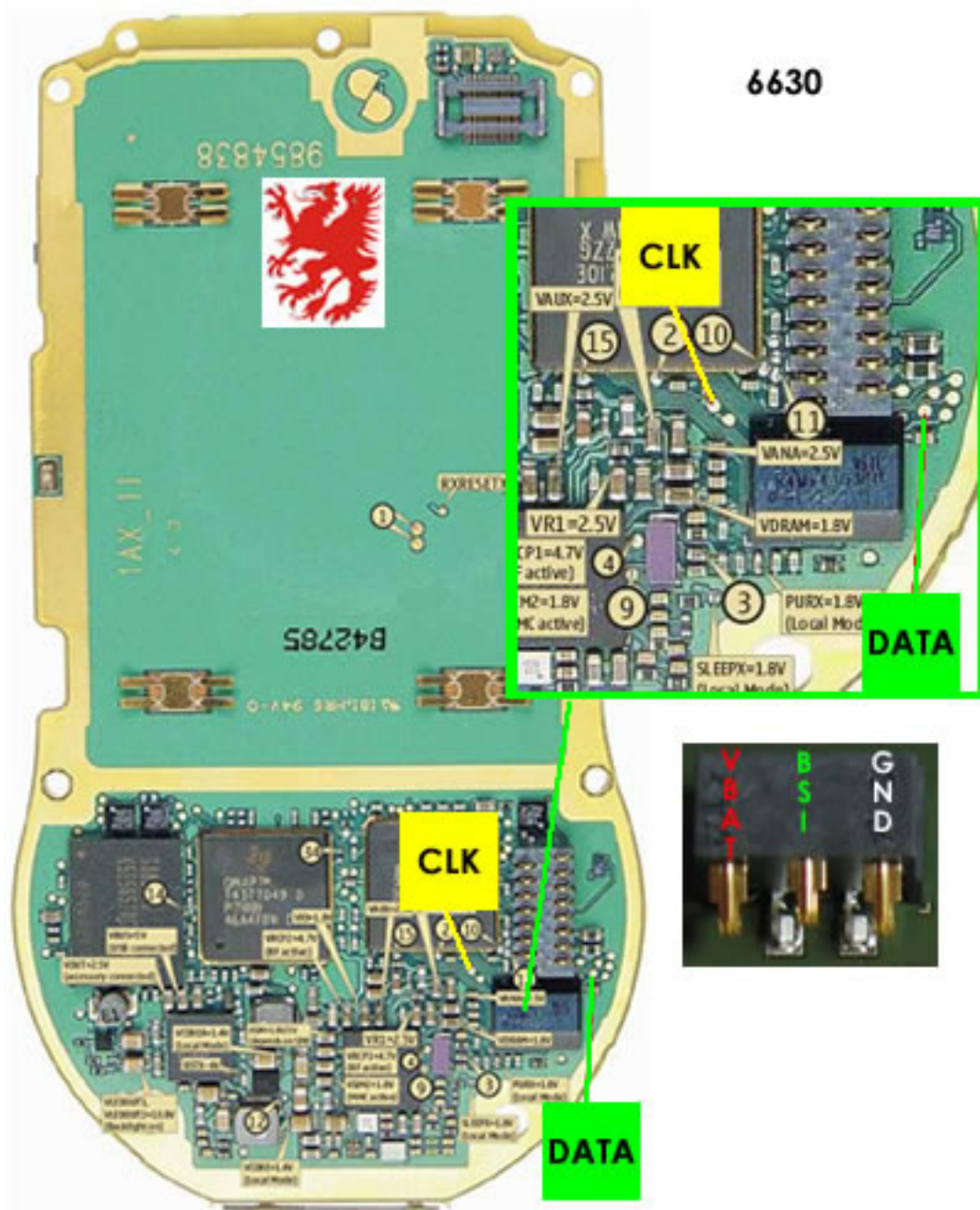
6280 - 6288



6300

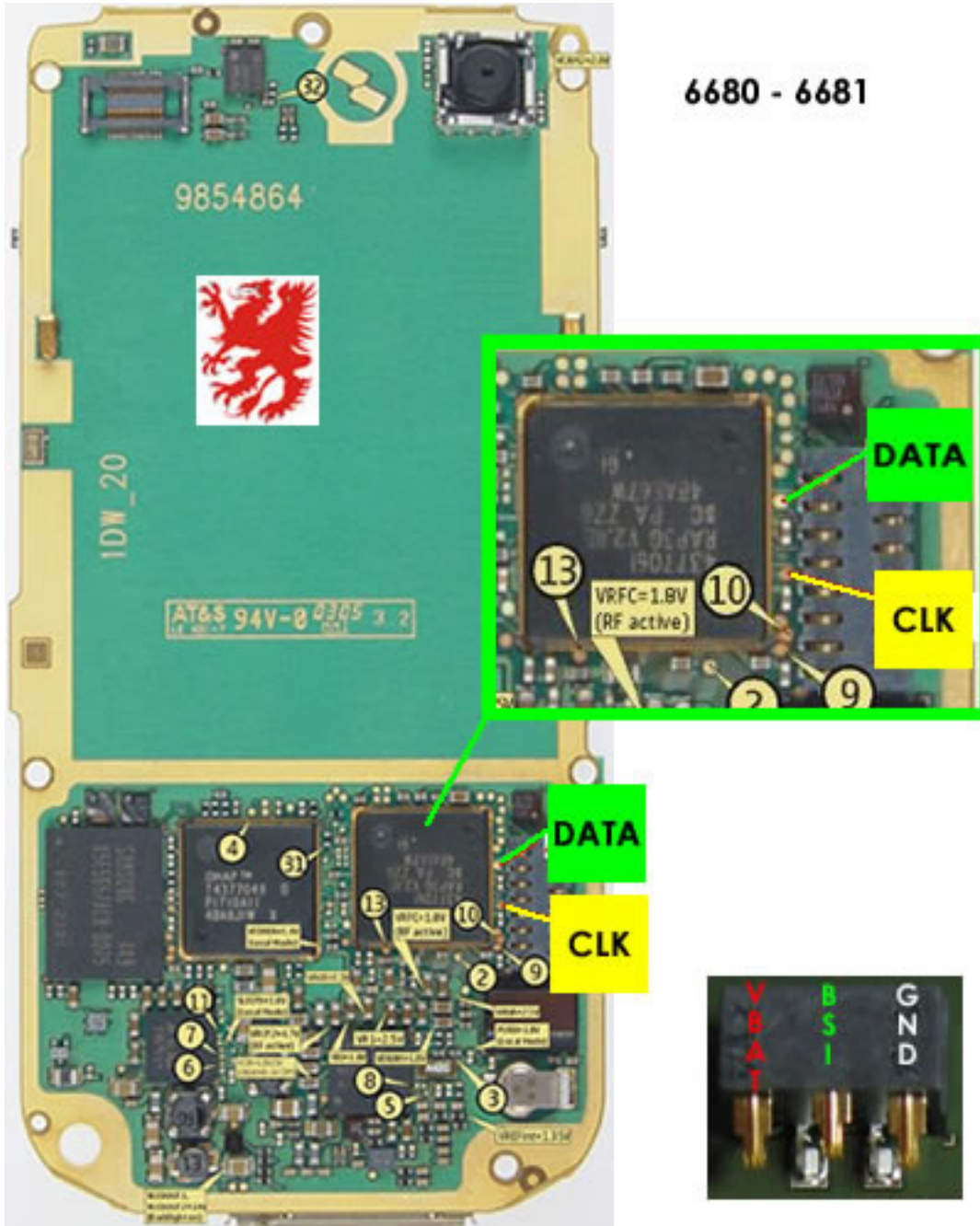


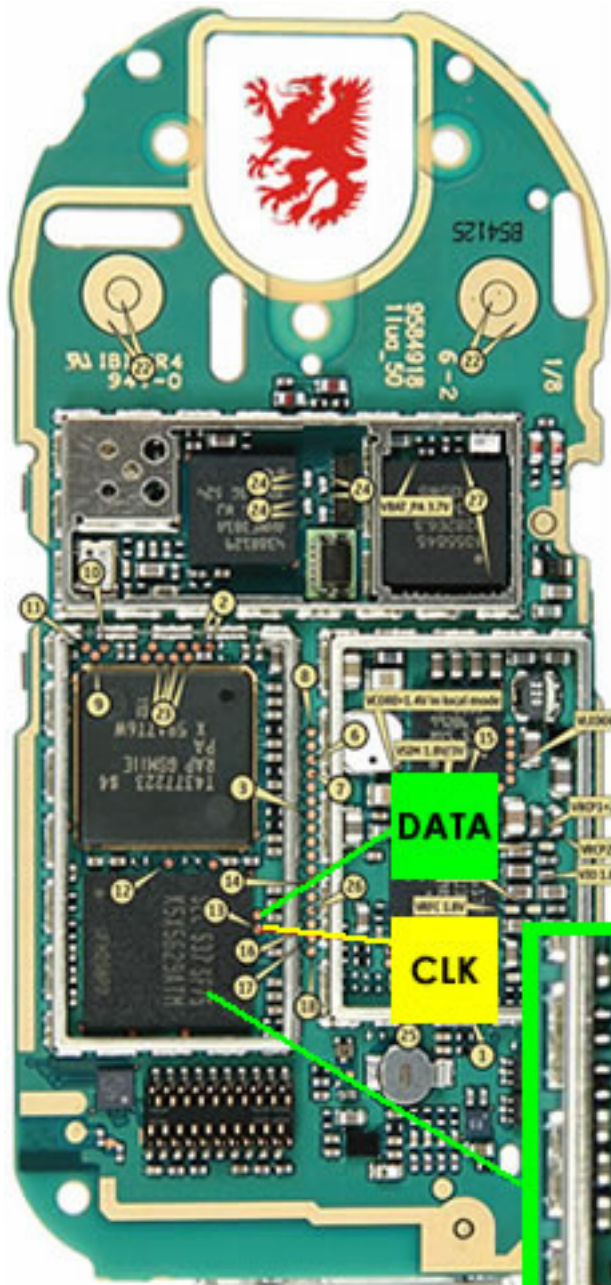
6630



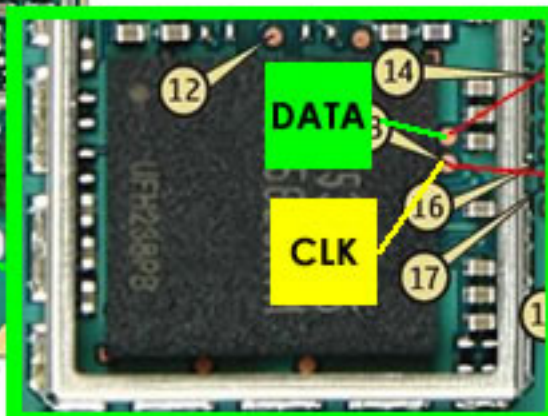
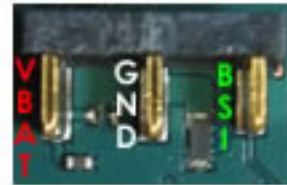


6680 - 6681

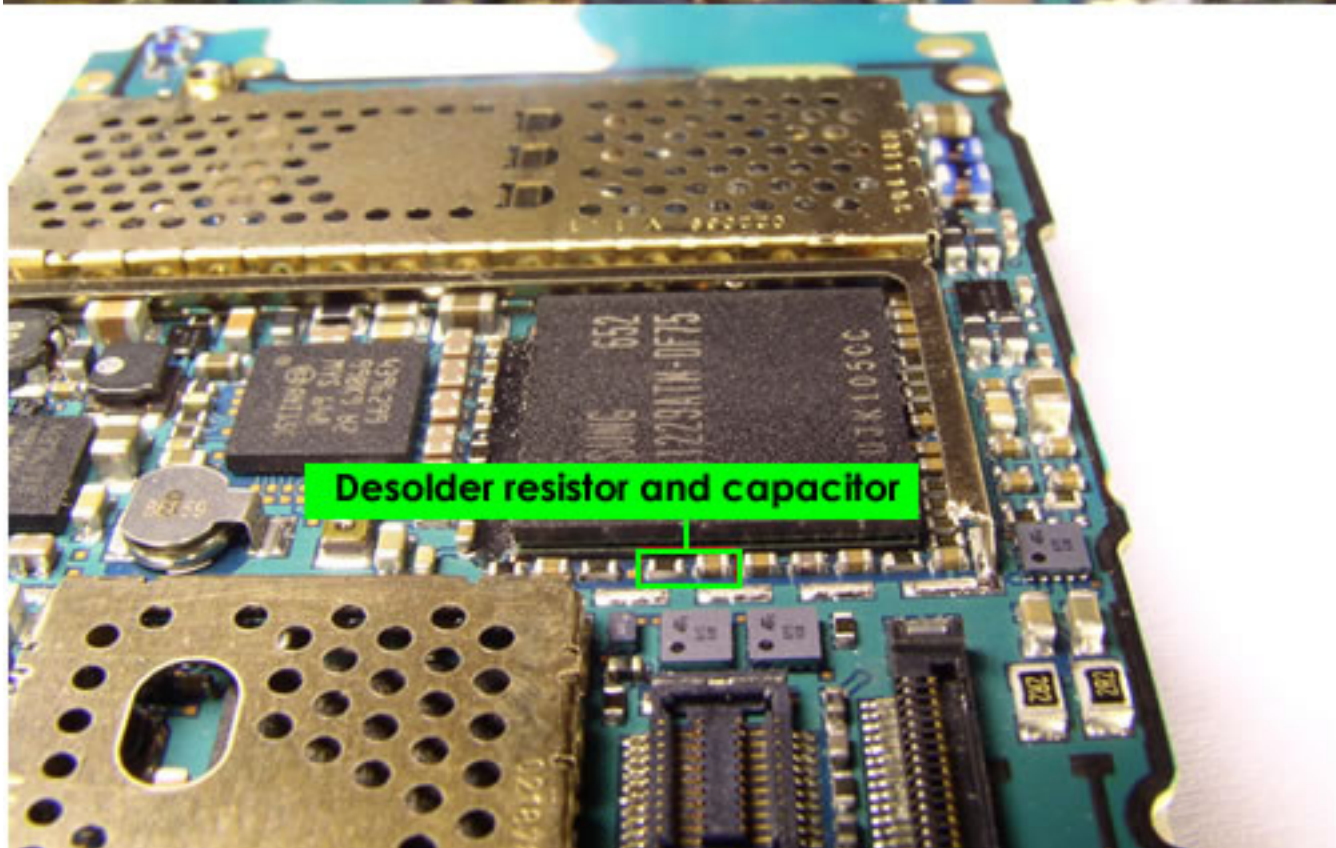
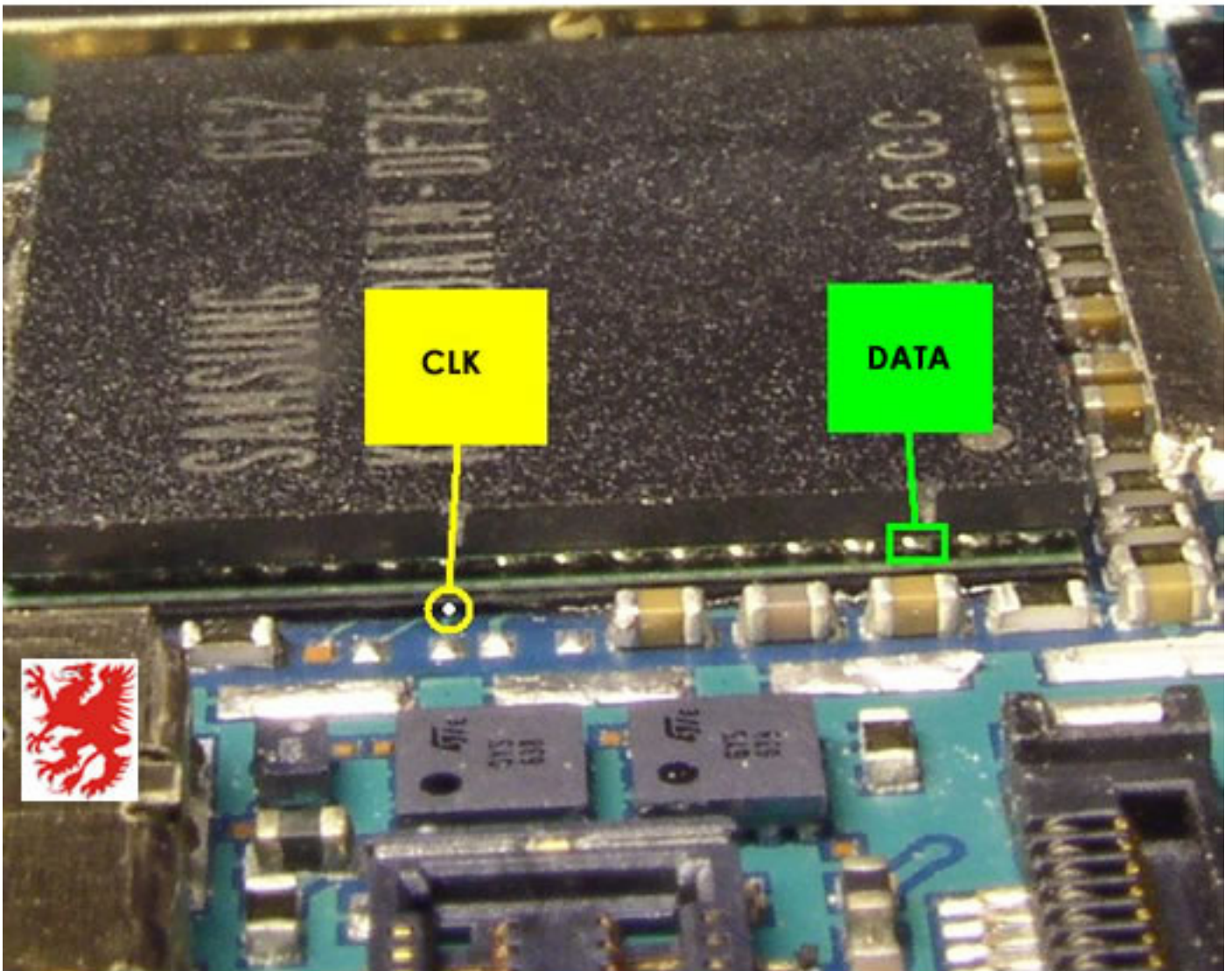




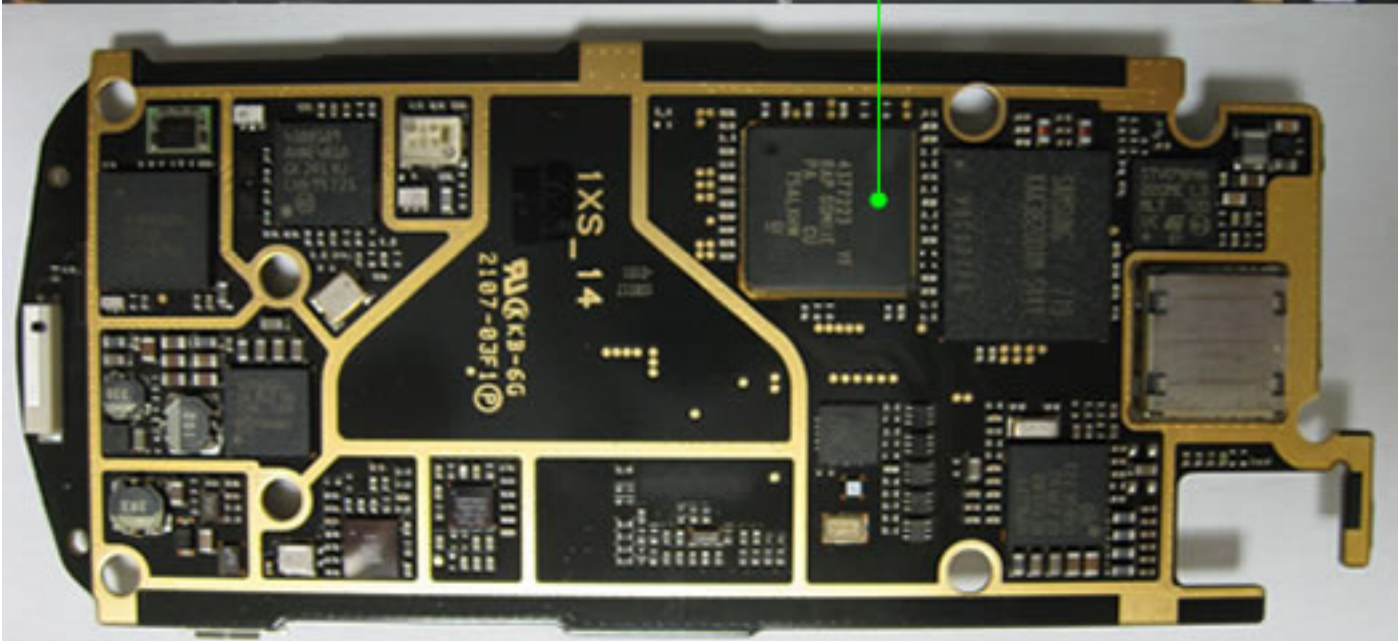
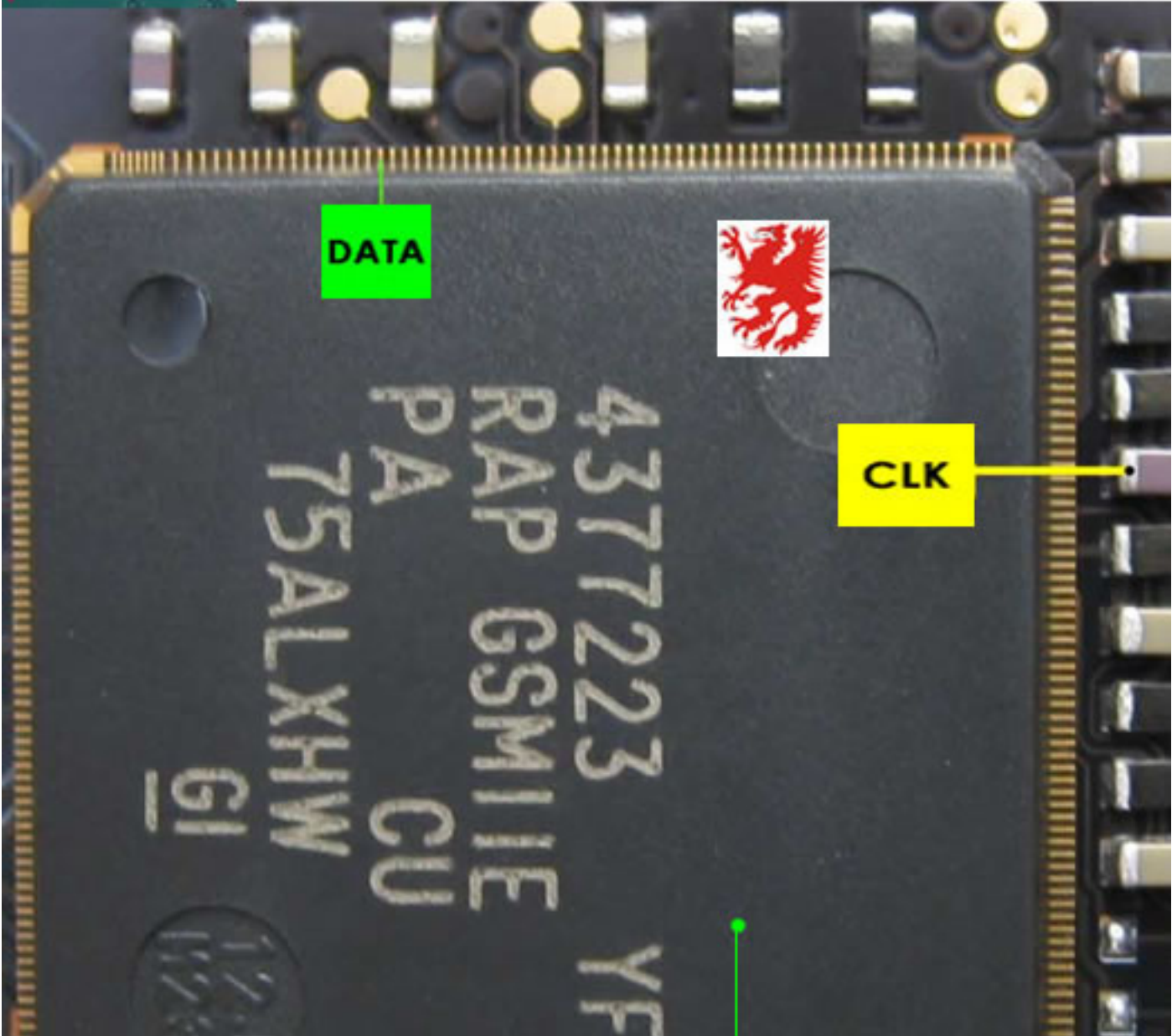
7370 - 7373

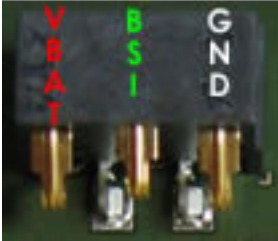
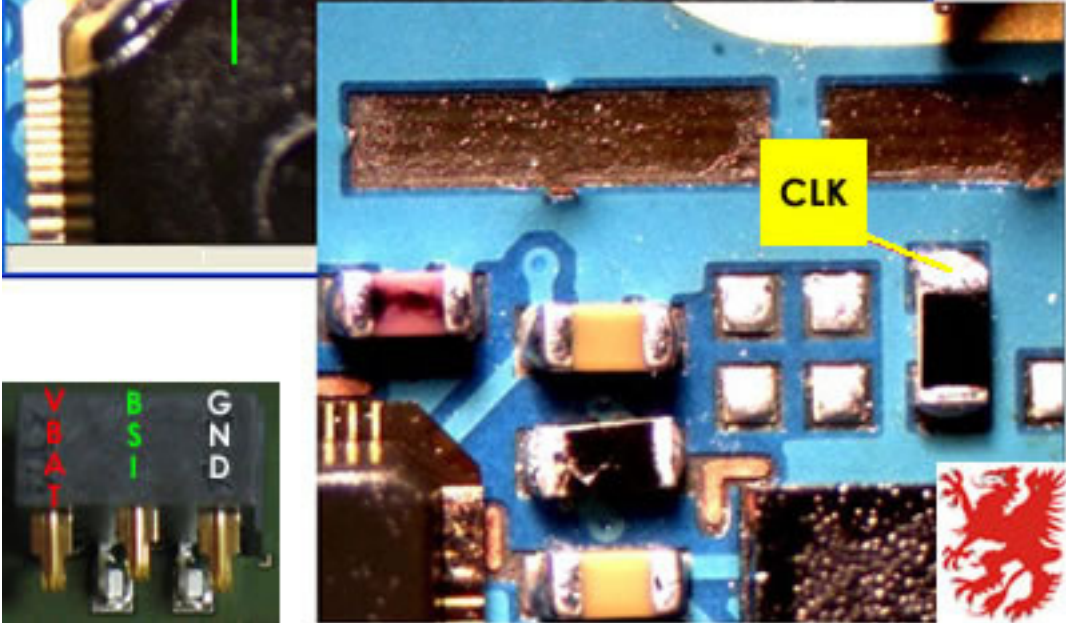
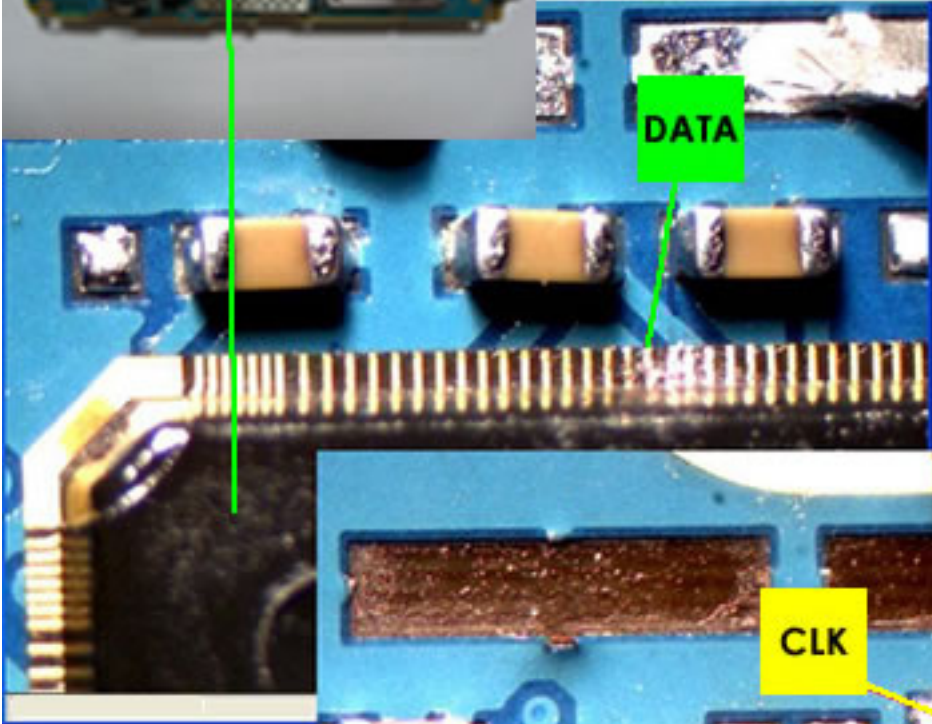




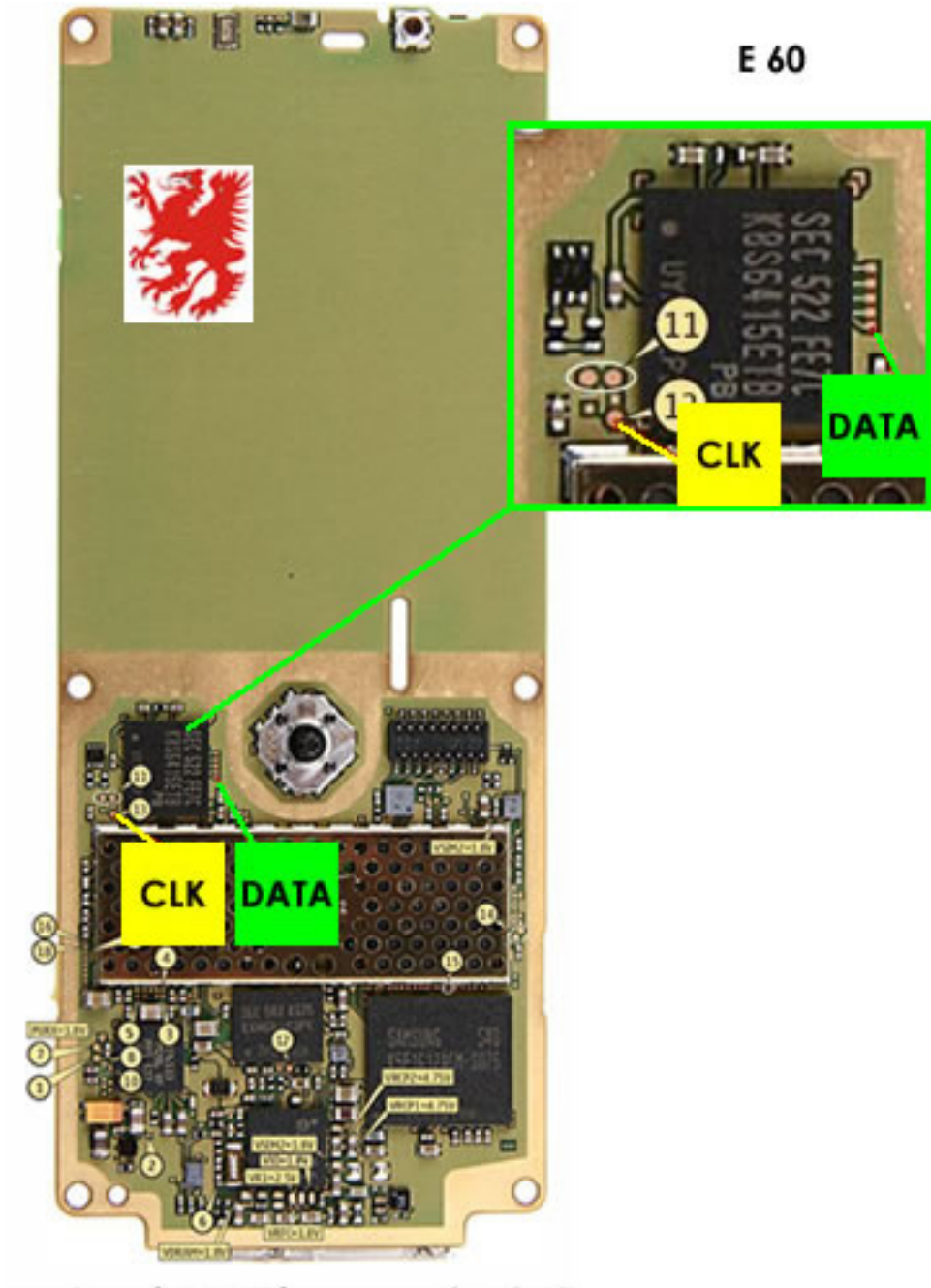




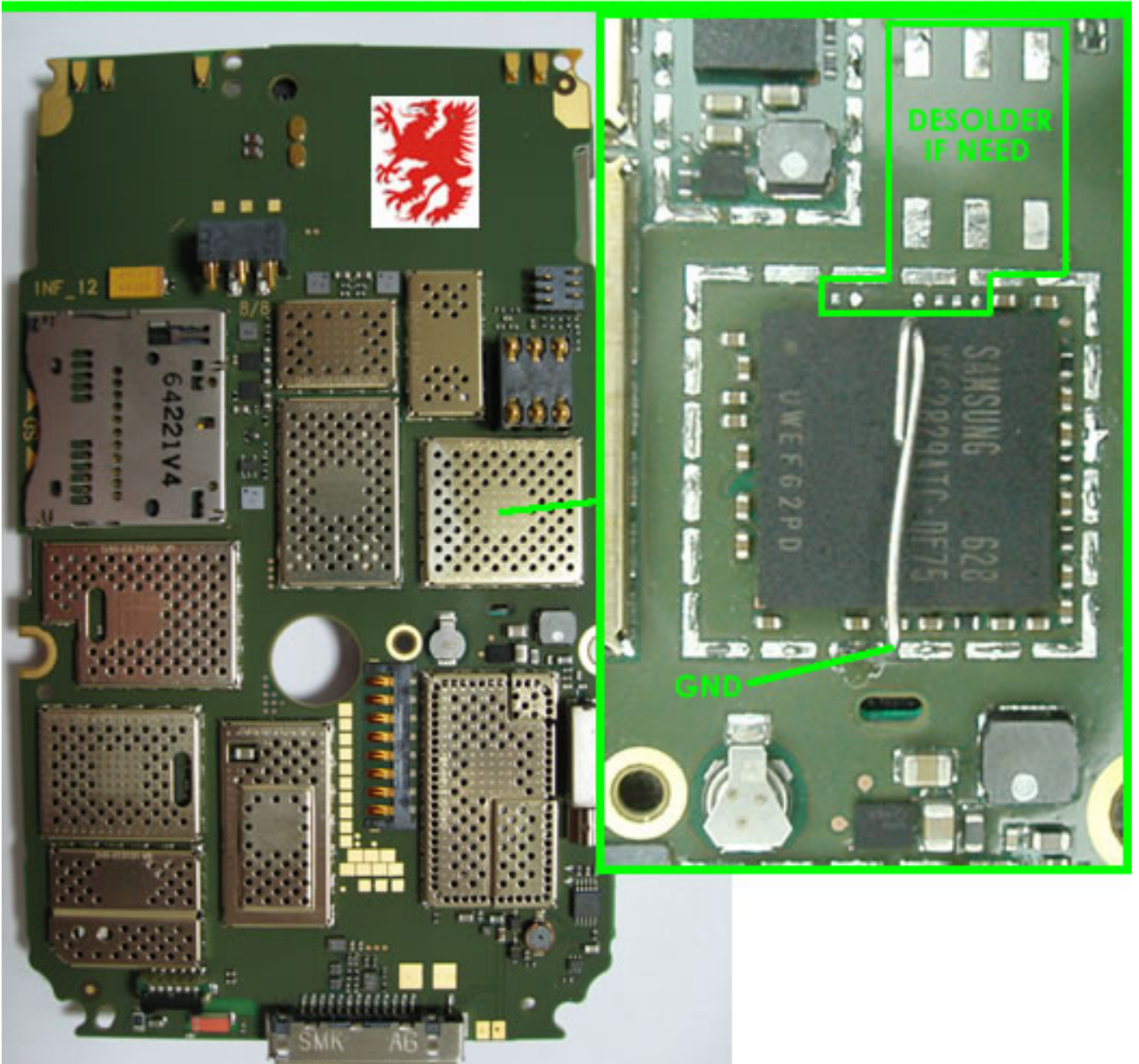
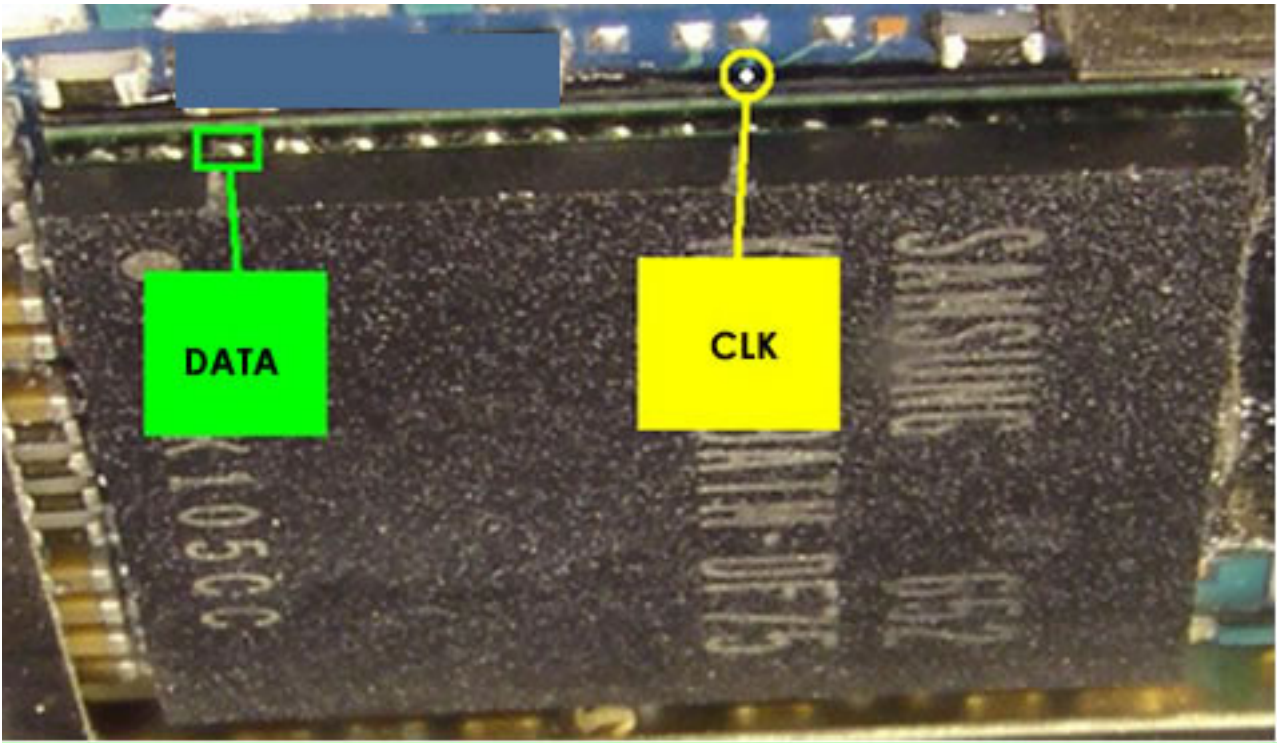




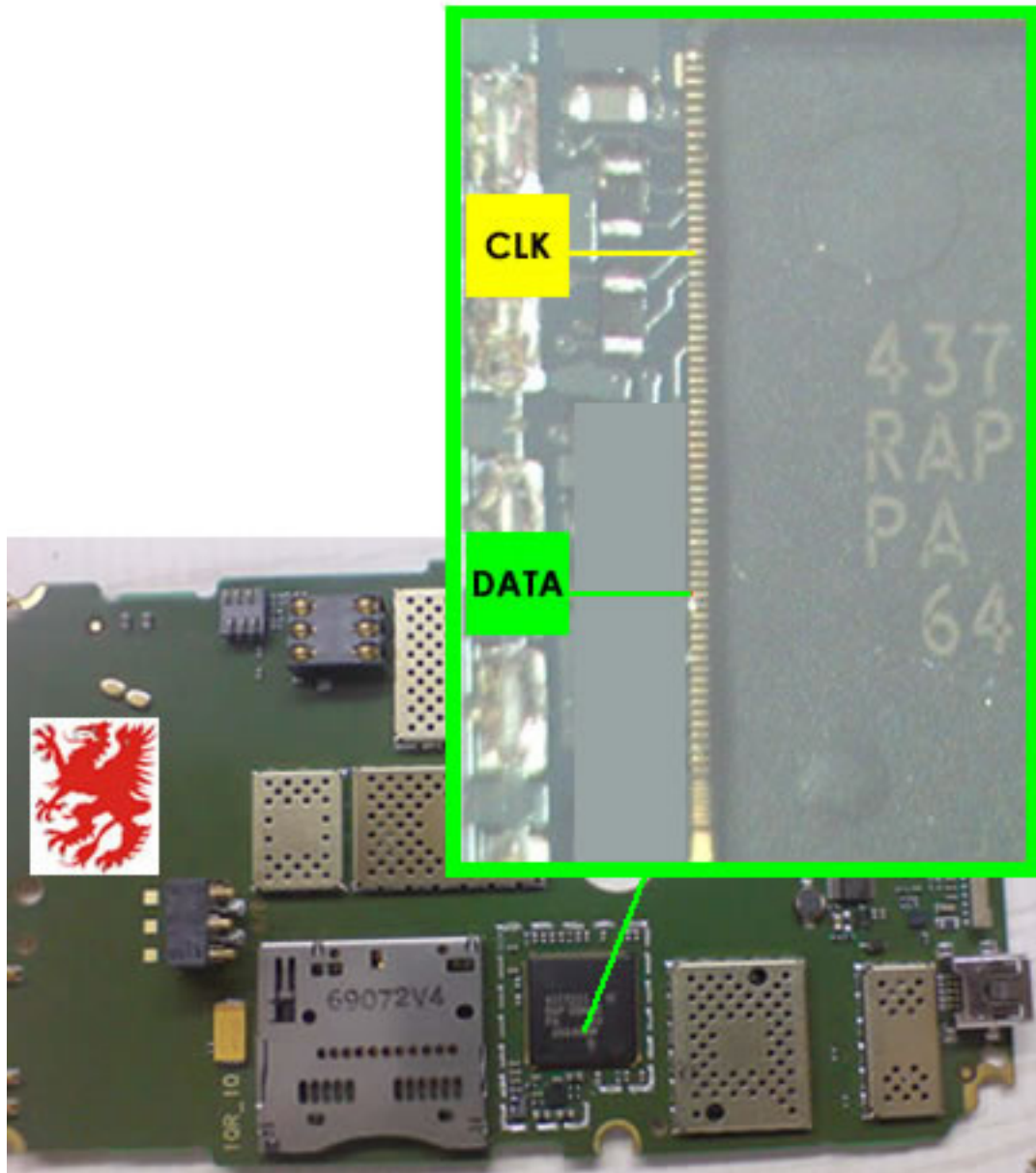
E 60



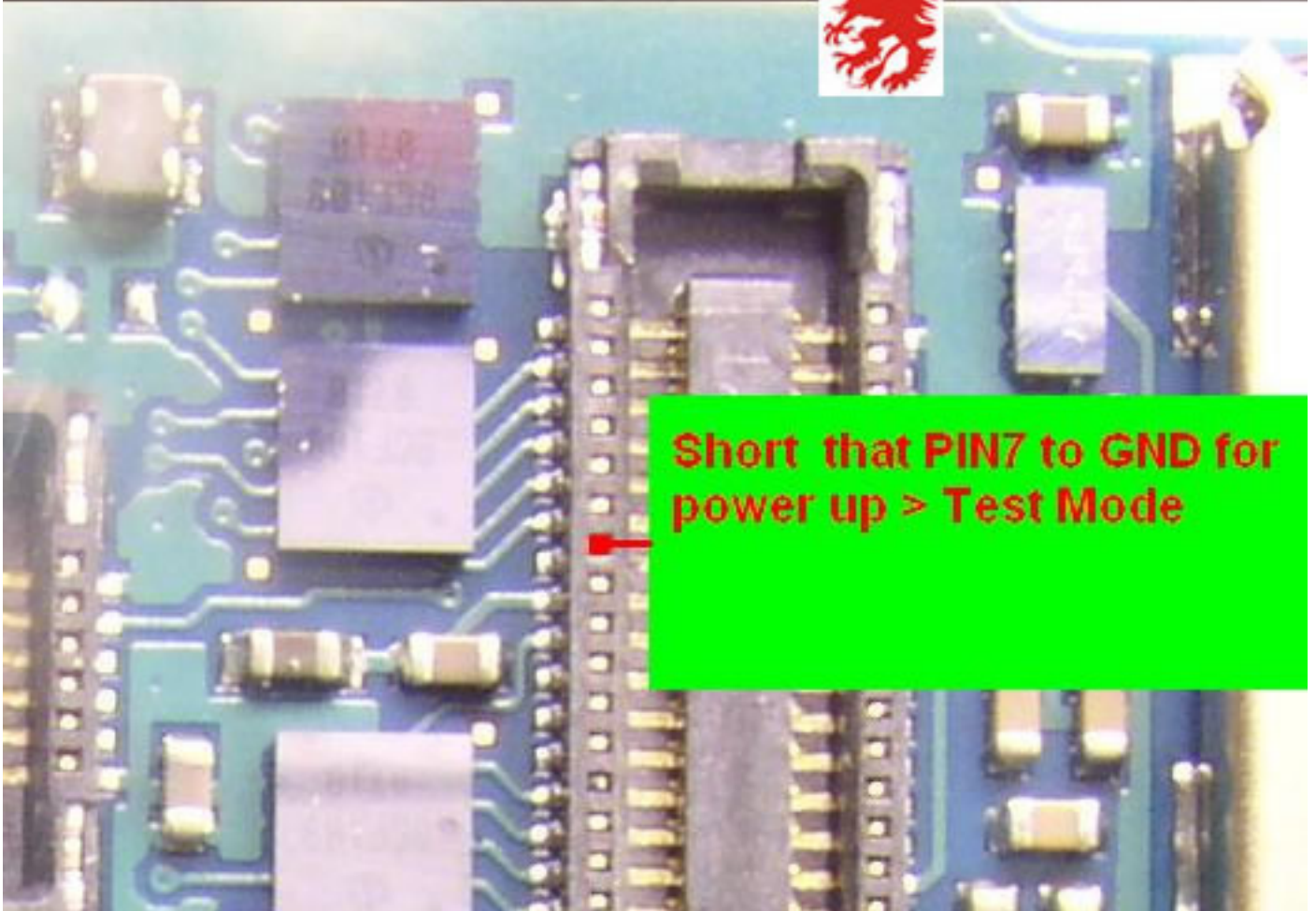
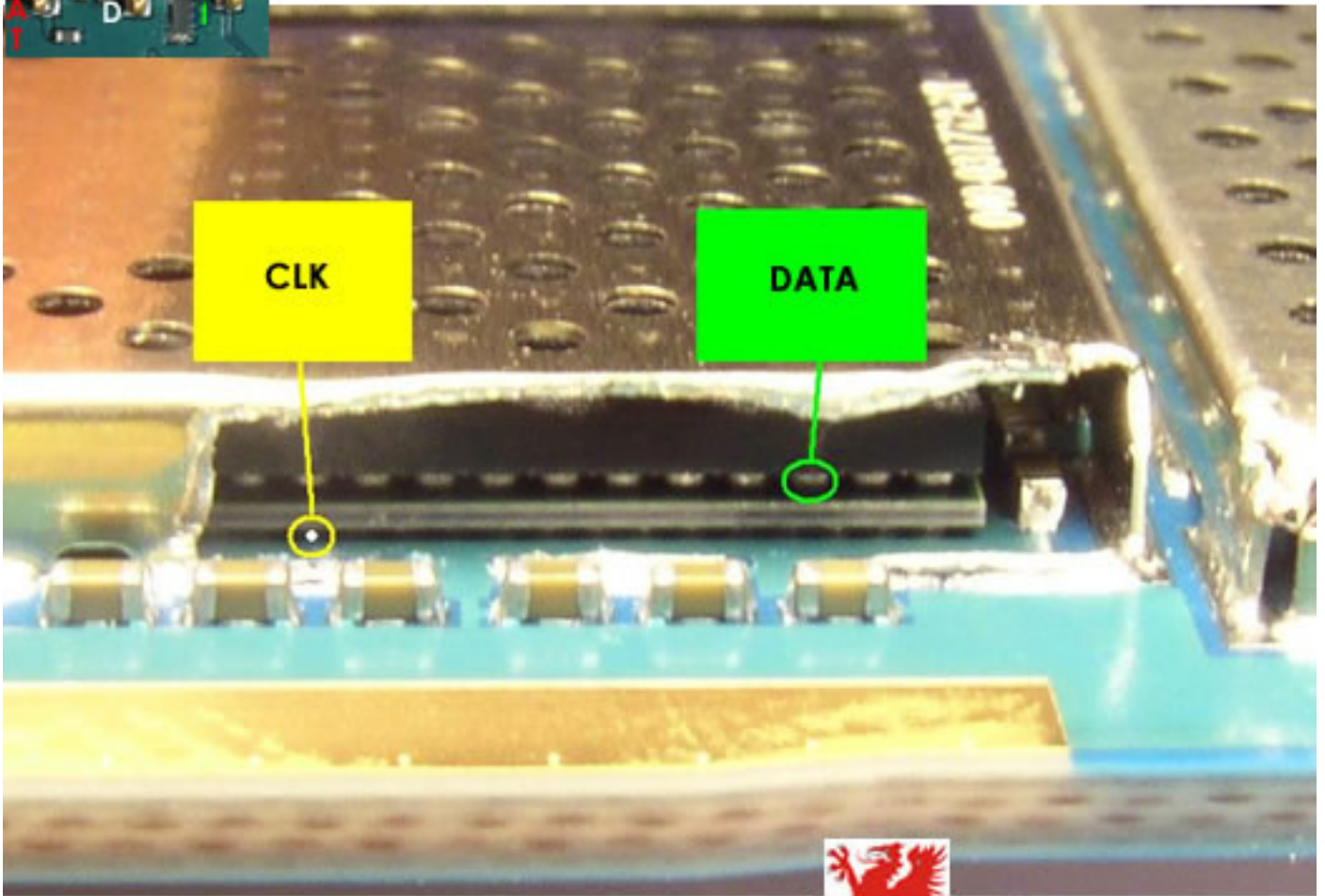
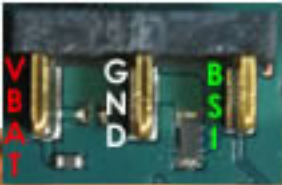




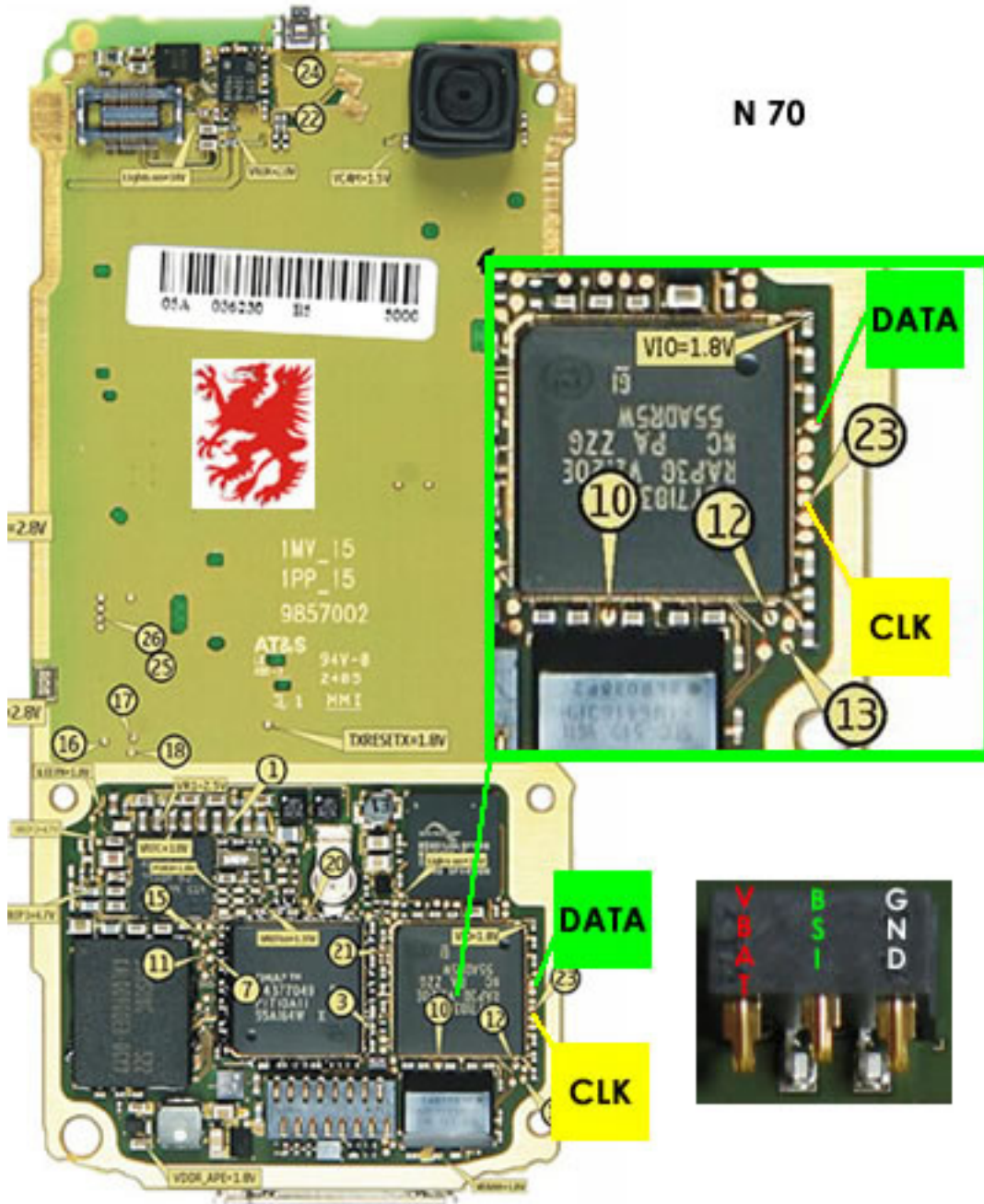
E62





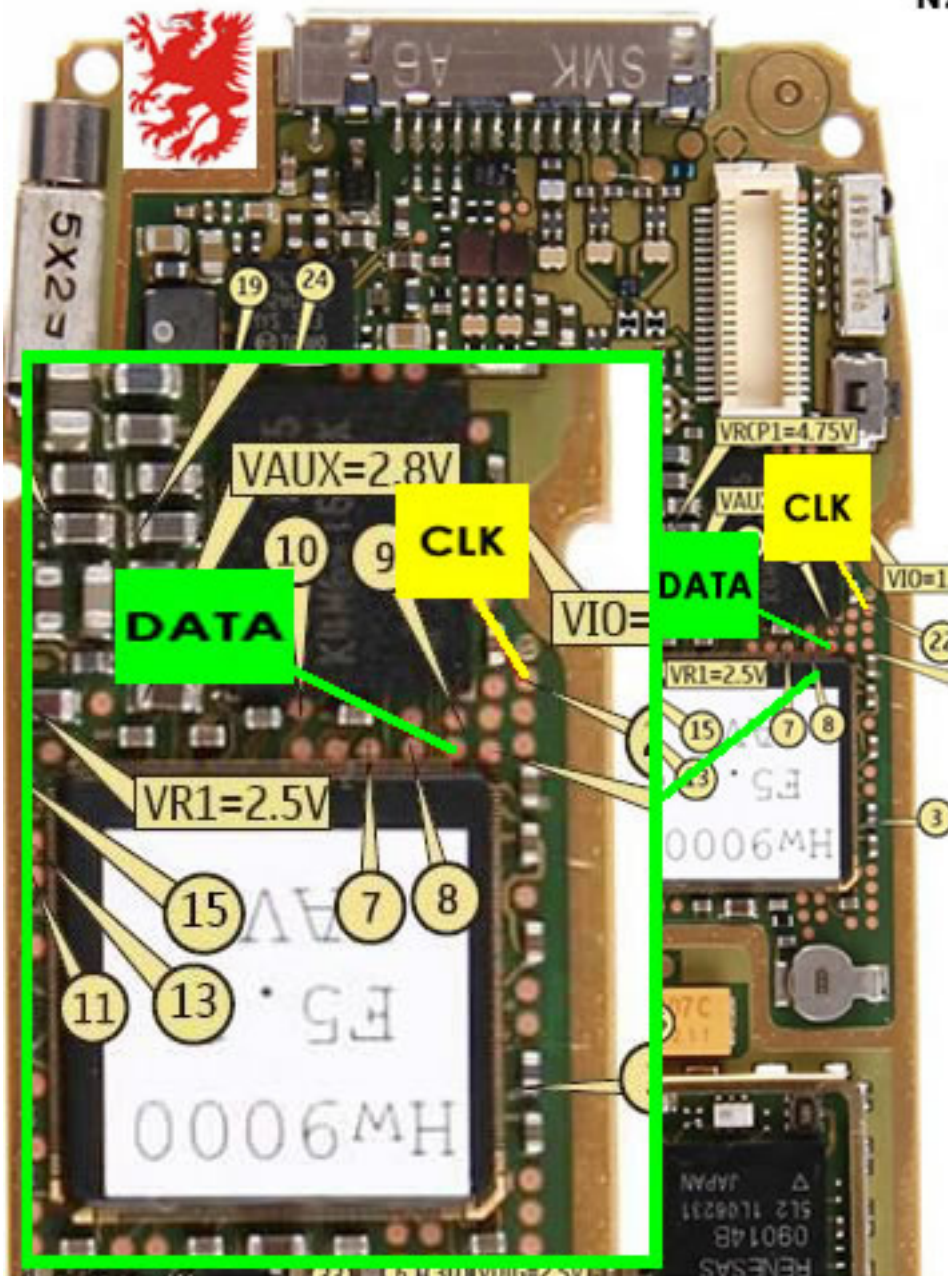


N 70

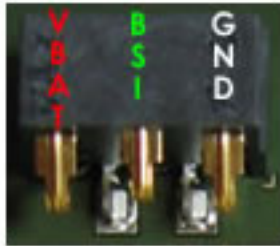




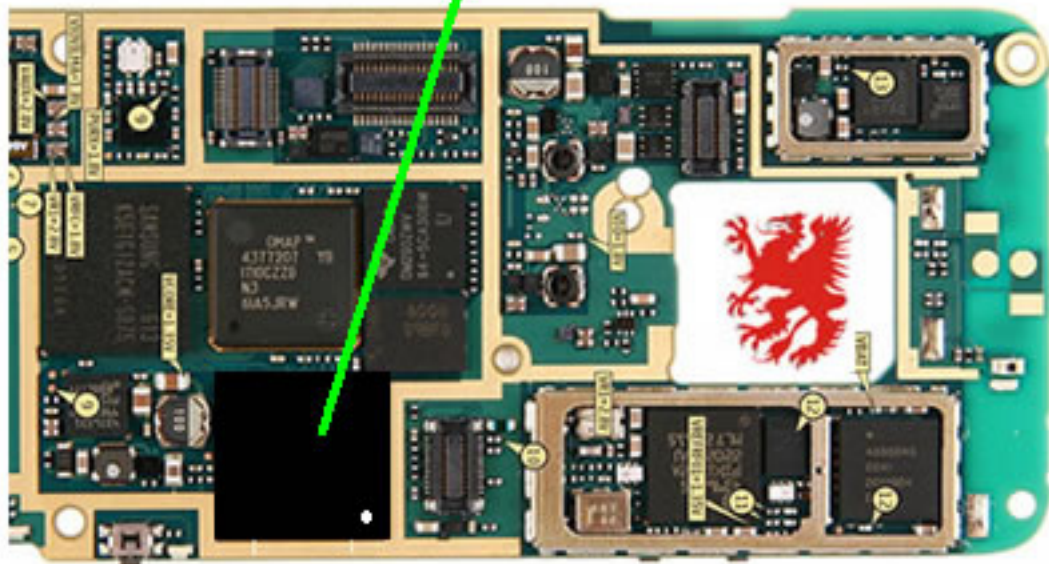
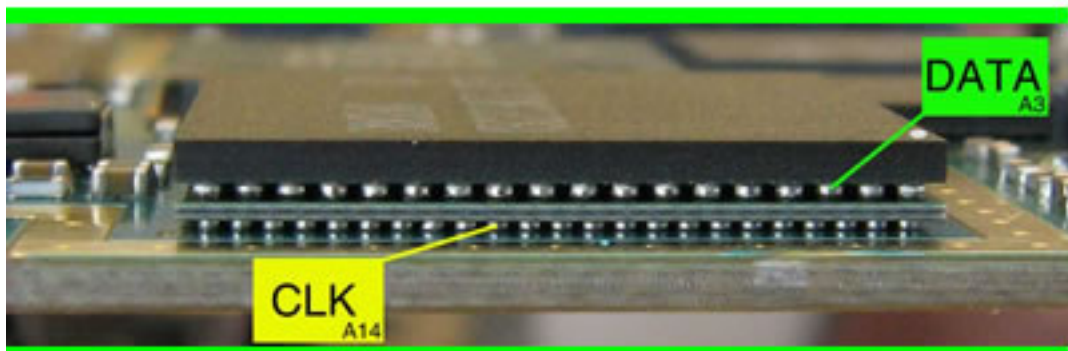
N71







N73





N80

